

## VR14S Series

# Vandal Resistant

14" Square, Surface Mount



### APPLICATIONS:

- Dorm Rooms
- Behavioral Health Facilities
- Transportation Stations
- Public Schools
- Multi-family Housing

### FEATURES:

- Long service life
- Vandal resistant construction and materials
- IK10 Impact rating
- 3.0G Vibration Test rating
- IP66 Ingress protection
- 0-10V, 1% Dimming
- Lifetime Vandal Resistance Warranty
- 10-Year limited warranty

## SPECIFICATIONS

### HOUSING & LENS TRIM:

Marine grade die cast aluminum housing and lens trim. Six stage cleaning and saline pre-treatment. Super TGIC polyester powder coat finish, 18µm Minutes, 5000 hours salt spray test (ASTM B117) compliant with Florida / AAMA 2604 specification.

### DIFFUSER:

One-piece white, high impact, UV stabilized polycarbonate, 0.125" NOM. Secured by lens ring using (4) stainless steel fasteners, or optional vandal proof stainless steel fasteners.

### REFLECTOR:

Fabricated 5005 corrosion resistant aluminum. Six stage cleaning and saline pre-treatment. Polyester powder coat high reflectance white finish, 18µm Minutes, 5000 hours salt spray test (ASTM B117) compliant with Florida / AAMA 2604 specification.

### GASKETS:

Thick urethane foam gasket for wall/ceiling mount. Lens sealed with an injection molded silicone seamless gasket housing seal.

### TESTING AND RATINGS:

cETLus Listed, CE IEC 60598-1, IEC 60598-2-1

Wet location listed for wall or ceiling mount

IP66 (IEC 60598-1/60529) Ingress protection

3.0G (ANSI C136.31) Vibration resistance rated

IK10 (IEC6226) Impact resistance rated

IESNA LM79 Photometric testing by NVLAP accredited test lab

IESNA LM80 LED testing by NVLAP accredited test lab

IESNA TM21 Luminaire lumen depreciation projection to >70,000 hours

### ELECTRICAL:

High efficiency, HPF (>94%@120V) Class Two LED driver Samsung LED, 85 or 93 CRI, 2 SDCM fixture to fixture color consistency. CEC Title 24 JA8 compliant (Only 93CRI). Standard dimming 0-10V (1%).

### MOUNTING:

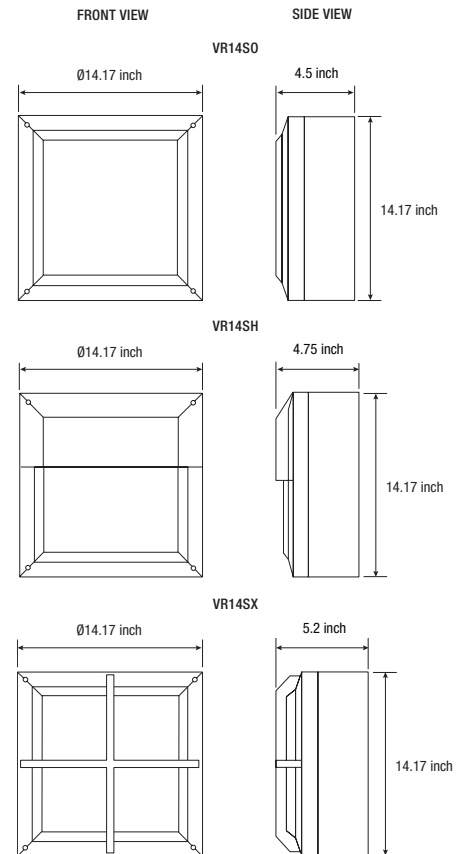
Mounts directly to wall and ceiling surface over standard junction boxes through (4) open holes in housing to provide most secure attachment for high abuse environments (screws appropriate to the mounting surface condition and substrate by others).

### LIFETIME VANDAL RESISTANCE WARRANTY:

Paramount will replace or repair any fixture damaged due to vandalism for the lifetime of the fixture installation.

### WARRANTY:

10-Year Limited material and workmanship warranty.



# VR14S Series – Wet Location

## PRODUCT ORDERING CODE

SERIES	VOLTAGE	CCT	CRI	LUMENS <sup>3</sup>	FINISH	OPTIONS
<b>PMVR14SO</b> Wet Location	<b>UNV</b> 120 - 277 VAC		<b>CRI85</b> 85 CRI			
<b>PMVR14SH</b> Wet Location	<b>347V</b> 347 VAC (Integral)		<b>CRI93</b> 93 CRI			
<b>PMVR14SX</b> Wet Location	<b>120V</b> 120 VAC (PE Option)					
	<b>277V</b> 120 VAC (PE Option)					
		<b>27K</b> 2700K				
		<b>3K</b> 3000K				
		<b>35K</b> 3500K				
		<b>4K</b> 4000K				
					<b>BKE</b> Black	
					<b>BRE</b> Bronze	
					<b>GRE</b> Graphite Grey	
					<b>SLE</b> Silver	
					<b>WHE</b> White	
					<b>CCE</b> Custom Color	



<b>PMVR14SO</b>	<b>11L</b> 1100 lm (13W)
	<b>16L</b> 1600 lm (19W)
	<b>26L</b> 2550 lm (29W)
	<b>38L</b> 3800 lm (45W)



<b>PMVR14SH</b>	<b>12L</b> 1150 lm (20W)
	<b>17L</b> 1700 lm (30W)
	<b>26L</b> 2570 lm (45W)
	<b>34L</b> 3400 lm (59W)



<b>PMVR14SX</b>	<b>11L</b> 1100 lm (14W)
	<b>16L</b> 1600 lm (20W)
	<b>26L</b> 2550 lm (32W)
	<b>38L</b> 3800 lm (48W)
	<b>50L</b> 5000 lm (59W)

Selection must match the selected product

**BBUR** Battery Backup & LED Driver Remote (Indoor), 40W, IP20, IK08, NEMA 1, 0° to 48 °C (32° to 118 °F), 30 FT Maximum Distance with 12AWG (w/UNV Option Only), 500 Lumens Nominal

**BBUX** Battery Backup & LED Driver Remote (Outdoor), IP67, IK10, NEMA 4X, -20° to 55°C (-4° to 131°F), 30 FT Maximum Distance with 12AWG (w/UNV Option Only), 600 Lumens Nominal

**CSM** Conduit Surface Mount

**ELV** ELV Dimming (120V Only)

**LD** 0-10V Dimming, 1% (Standard)

**F** Fuse Line (1 Fuse with LED Driver, 2 Fuses with BBUR & BBUS Options)

**PE120** Photo Eye for 120V

**PE277** Photo Eye for 277V

**SP20** 20kV Surge Protector (1 SP20 w/ LED Driver, 2 SP20 w/ BBUR & BBUX Options)

**TPS** Tamper Proof Screws

Date:	Approved:
Type:	
Fixture:	
Project:	

# VR14S Series

## LUMENS

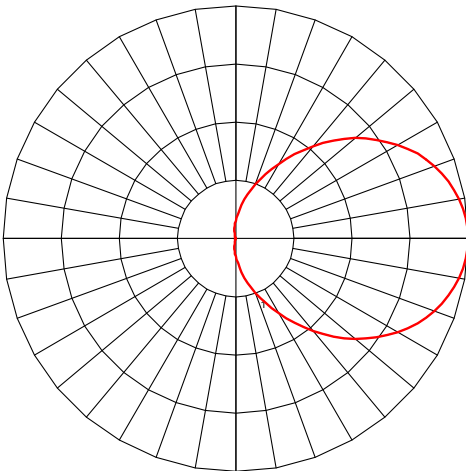
Model	Watts	LM79 Test Result @ Max Lumens
		4K (4000 Kelvin, CRI 83) Nominal
PMVR14SO	59W	5100 lm
PMVR14SH	59W	2550 lm
PMVR14SX	59W	5100 lm

CCT Multiplier (CRI83)	
CCT	Multiplier
3000K	0.96
3500K	0.96
4000K	1.00
5000K	1.00

0-10V Approved Dimmer List	
Manufacturer	Manufacturer Part Number
Lutron	Diva DVST-XX
	Diva DVST-453PH-WH1
Leviton	Illumatech 010-IP710-DLZ

## PHOTOMETRICS

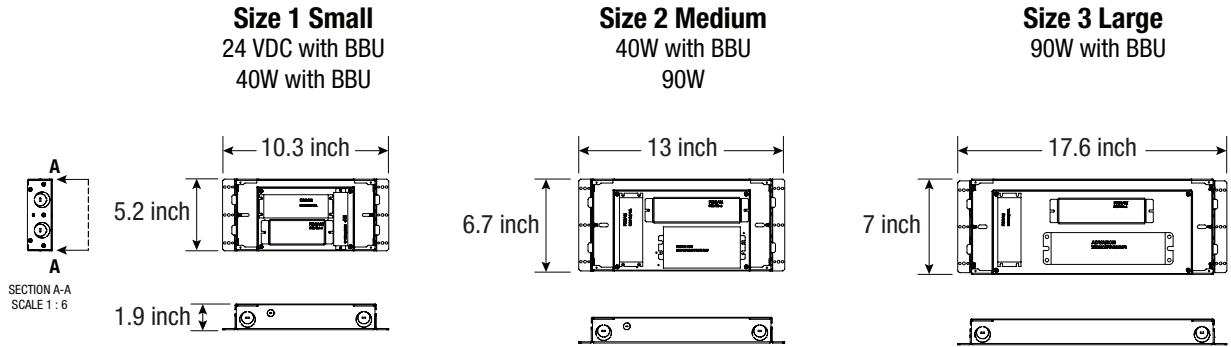
90°



# VR14S Series

## BATTERY BACKUP

**BBUR** — Battery Backup & LED Driver Remote (Indoor), IP20, IK08, NEMA 1, 0 to 48 °C (32 to 118 °F), 30 feet Maximum Distance with 12 AWG (with UNV Option Only)



**BBUX** — Battery Backup & LED Driver Remote (Outdoor), IP67, IK10, NEMA 4X, -20 to 55 °C (-4 to 131 °F), 30 feet Maximum Distance with 12AWG (with UNV Option Only)

