

# VR14R Series

# Vandal Resistant

## 14" Round, Surface Mount



### APPLICATIONS:

- Dorm Rooms
- Behavioral Health Facilities
- Transportation Stations
- Public Schools
- Multi-family Housing

### FEATURES:

- Long service life
- Vandal resistant construction and materials
- IK10 Impact rating
- 3.0G Vibration Test rating
- IP66 Ingress protection
- 0-10V, 1% Dimming
- Lifetime Vandal Resistance Warranty
- 10-Year limited warranty

## SPECIFICATIONS

### HOUSING & LENS TRIM:

Marine grade die cast aluminum housing and lens trim. Six stage cleaning and saline pre-treatment. Super TGIC polyester powder coat finish, 18µm Minutes, 5000 hours salt spray test (ASTM B117) compliant with Florida / AAMA 2604 specification.

### DIFFUSER:

One-piece white, high impact, UV stabilized polycarbonate, 0.125" NOM. Secured by lens ring using (4) stainless steel fasteners, or optional vandal proof stainless steel fasteners.

### REFLECTOR:

Fabricated 5005 corrosion resistant aluminum. Six stage cleaning and saline pre-treatment. Polyester powder coat high reflectance white finish, 18µm Minutes, 5000 hours salt spray test (ASTM B117) compliant with Florida / AAMA 2604 specification.

### GASKETS:

Thick urethane foam gasket for wall/ceiling mount. Lens sealed with an injection molded silicone seamless gasket housing seal.

### TESTING AND RATINGS:

cETLus Listed, CE IEC 60598-1, IEC 60598-2-1

Wet location listed for wall or ceiling mount

IP66 (IEC 60598-1/60529) Ingress protection

3.0G (ANSI C136.31) Vibration resistance rated

IK10 (IEC6226) Impact resistance rated

IESNA LM79 Photometric testing by NVLAP accredited test lab

IESNA LM80 LED testing by NVLAP accredited test lab

IESNA TM21 Luminaire lumen depreciation projection to >70,000 hours

### ELECTRICAL:

High efficiency, HPF (>94%@120V) Class Two LED driver Samsung LED, 85 or 93 CRI, 2 SDCM fixture to fixture color consistency. CEC Title 24 JA8 compliant (Only 93CRI). Standard dimming 0-10V (1%). Consult factory for optional drivers.

### MOUNTING:

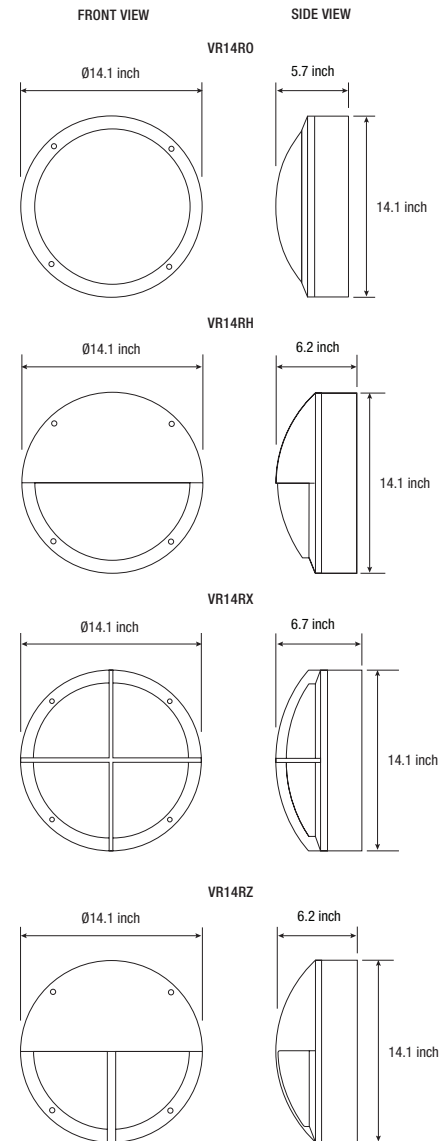
Mounts directly to wall and ceiling surface over standard junction boxes through (4) open holes in housing to provide most secure attachment for high abuse environments (screws appropriate to the mounting surface condition and substrate by others).

### LIFETIME VANDAL RESISTANCE WARRANTY:

Paramount will replace or repair any fixture damaged due to vandalism for the lifetime of the fixture installation.

### WARRANTY:

10-Year Limited material and workmanship warranty.



# VR14R Series – Wet Location

## PRODUCT ORDERING CODE

SERIES	VOLTAGE	CCT	CRI	LUMENS <sup>3</sup>	FINISH	OPTIONS
<b>PMVR14RO</b> Wet Location	<b>UNV</b> 120 - 277 VAC		<b>CRI85</b> 85 CRI			
<b>PMVR14RH</b> Wet Location	<b>347V</b> 347 VAC (Integral)		<b>CRI93</b> 93 CRI			
<b>PMVR14RX</b> Wet Location	<b>120V</b> 120 VAC (PE Option)					
<b>PMVR14RZ</b> Wet Location	<b>277V</b> 120 VAC (PE Option)					
		<b>27K</b> 2700K			<b>BKE</b> Black	
		<b>3K</b> 3000K			<b>BRE</b> Bronze	
		<b>35K</b> 3500K			<b>GRE</b> Graphite Grey	
		<b>4K</b> 4000K			<b>SLE</b> Silver	
					<b>WHE</b> White	
					<b>CCE</b> Custom Color	



<b>PMVR14RO</b>	<b>12L</b> 1215 lm (11W)	<b>BBU</b> 10W Battery Backup, Integral
	<b>15L</b> 1512 lm (13W)	
	<b>26L</b> 2631 lm (23W)	
	<b>38L</b> 3812 lm (33W)	
	<b>50L</b> 5043 lm (44W)	
<b>PMVR14RH</b>	<b>8L</b> 771 lm (12W)	<b>BBUR</b> 0° to 48 °C (32° to 118 °F), 30 FT Maximum Distance with 12AWG (w/UNV Option Only), 500 Lumens Nominal
	<b>14L</b> 1437 lm (23W)	
	<b>21L</b> 2141 lm (34W)	
	<b>27L</b> 2693 lm (43W)	
<b>PMVR14RX</b>	<b>12L</b> 1191 lm (10W)	<b>BBUX</b> 55°C (-4° to 131°F), 30 FT Maximum Distance with 12AWG (w/UNV Option Only), 600 Lumens Nominal
	<b>15L</b> 1482 lm (13W)	
	<b>26L</b> 2578 lm (23W)	
	<b>38L</b> 3846 lm (34W)	
<b>PMVR14RZ</b>	<b>50L</b> 4942 lm (43W)	<b>CSM</b> Conduit Surface Mount
	<b>8L</b> 756 lm (12W)	
	<b>14L</b> 1408 lm (22W)	
	<b>21L</b> 2098 lm (33W)	
	<b>27L</b> 2700 lm (43W)	<b>ELV</b> ELV Dimming (120V Only)
		<b>LD</b> 0-10V Dimming, 1% (Standard)
		<b>F</b> Fuse Line (1 Fuse with LED Driver, 2 Fuses with BBUR & BBUX Options)
		<b>PE120</b> Photo Eye for 120V
		<b>PE277</b> Photo Eye for 277V
		<b>SP20</b> 20kV Surge Protector (1 SP20 w/ LED Driver, 2 SP20 w/ BBUR & BBUX Options)
		<b>TPS</b> Tamper Proof Screws

Selection must match the selected product

# VR14R Series

## LUMENS

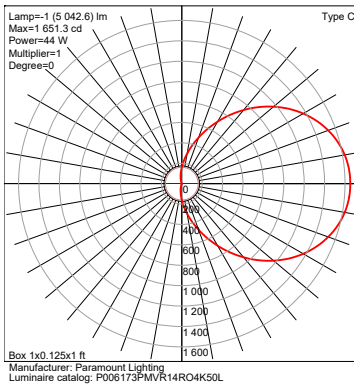
Model	Watts	LM79 Test Result @ Max Lumens
		4K (4000 Kelvin, CRI 83) Nominal
PMVR14RO-1	44W	5043 lm
PMVR14RO-2	33W	3812 lm
PMVR14RO-3	23W	2631 lm
PMVR14RO-4	13W	1512 lm
PMVR14RO-5	11W	1215 lm
PMVR14RH-1	43W	2693 lm
PMVR14RH-2	34W	2141 lm
PMVR14RH-3	23W	1437 lm
PMVR14RH-4	12W	771 lm
PMVR14RX-1	43W	4942 lm
PMVR14RX-2	34W	3846 lm
PMVR14RX-3	23W	2578 lm
PMVR14RX-4	13W	1482 lm
PMVR14RX-5	10W	1191 lm
PMVR14RZ-1	43W	2700 lm
PMVR14RZ-2	33W	2098 lm
PMVR14RZ-3	22W	1408 lm
PMVR14RZ-4	12W	756 lm

CCT Multiplier (CRI83)	
CCT	Multiplier
3000K	0.96
3500K	0.96
4000K	1.00
5000K	1.00

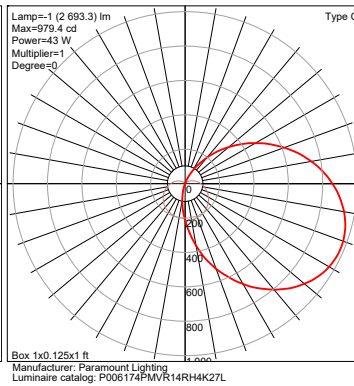
0-10V Approved Dimmer List	
Manufacturer	Manufacturer Part Number
Lutron	Diva DVST-XX
	Diva DVST-453PH-WH1
Leviton	Illumatech 010-IP710-DLZ

## PHOTOMETRICS

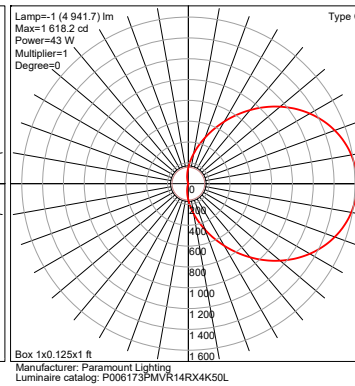
**PMVR14RO**



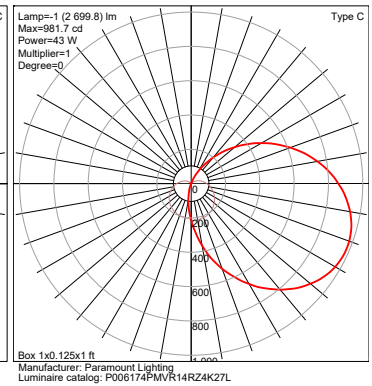
**PMVR14RH**



**PMVR14RX**



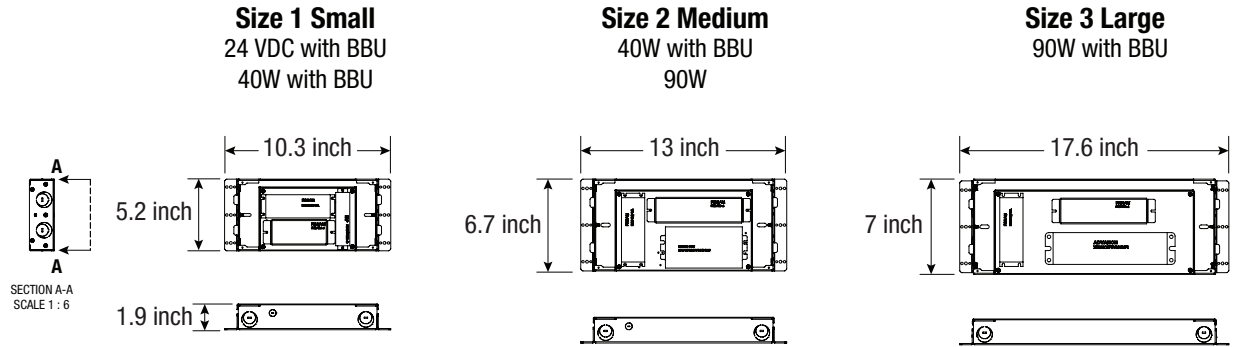
**PMVR14RZ**



# VR14R Series

## BATTERY BACKUP

**BBUR** — Battery Backup & LED Driver Remote (Indoor), IP20, IK08, NEMA 1, 0 to 48 °C (32 to 118 °F), 30 feet Maximum Distance with 12 AWG (with UNV Option Only)



**BBUX** — Battery Backup & LED Driver Remote (Outdoor), IP67, IK10, NEMA 4X, -20 to 55 °C (-4 to 131 °F), 30 feet Maximum Distance with 12AWG (with UNV Option Only)

