

VR10S Series

Vandal Resistant

10" Square, Surface Mount



APPLICATIONS:

- Dorm Rooms
- Behavioral Health Facilities
- Transportation Stations
- Public Schools
- Multi-family Housing

FEATURES:

- Long service life
- Vandal resistant construction and materials
- IK10 Impact rating
- 3.0G Vibration Test rating
- IP66 Ingress protection
- 0-10V, 1% Dimming
- Lifetime Vandal Resistance Warranty
- 10-Year limited warranty

SPECIFICATIONS

HOUSING & LENS TRIM:

Marine grade die cast aluminum housing and lens trim. Six stage cleaning and saline pre-treatment. Super TGIC polyester powder coat finish, 18µm Minutes, 5000 hours salt spray test (ASTM B117) compliant with Florida / AAMA 2604 specification.

DIFFUSER:

One-piece white, high impact, UV stabilized polycarbonate, 0.125" NOM. Secured by lens ring using (4) stainless steel fasteners, or optional vandal proof stainless steel fasteners.

REFLECTOR:

Fabricated 5005 corrosion resistant aluminum. Six stage cleaning and saline pre-treatment. Polyester powder coat high reflectance white finish, 18µm Minutes, 5000 hours salt spray test (ASTM B117) compliant with Florida / AAMA 2604 specification.

GASKETS:

Thick urethane foam gasket for wall/ceiling mount. Lens sealed with an injection molded silicone seamless gasket housing seal.

TESTING AND RATINGS:

cETLus Listed, CE IEC 60598-1, IEC 60598-2-1

Wet location listed for wall or ceiling mount

IP66 (IEC 60598-1/60529) Ingress protection

3.0G (ANSI C136.31) Vibration resistance rated

IK10 (IEC6226) Impact resistance rated

IESNA LM79 Photometric testing by NVLAP accredited test lab

IESNA LM80 LED testing by NVLAP accredited test lab

IESNA TM21 Luminaire lumen depreciation projection to >70,000 hours

ELECTRICAL:

High efficiency, HPF (>94%@120V) Class Two LED driver Samsung LED, 85 or 93 CRI, 2 SDCM fixture to fixture color consistency. CEC Title 24 JA8 compliant (Only 93CRI). Standard dimming 0-10V (1%).

MOUNTING:

Mounts directly to wall surface over standard junction boxes through (4) provided holes in housing to provide most secure attachment for high abuse environments (screws appropriate to the mounting surface condition and substrate by others).

LIFETIME VANDAL RESISTANCE WARRANTY:

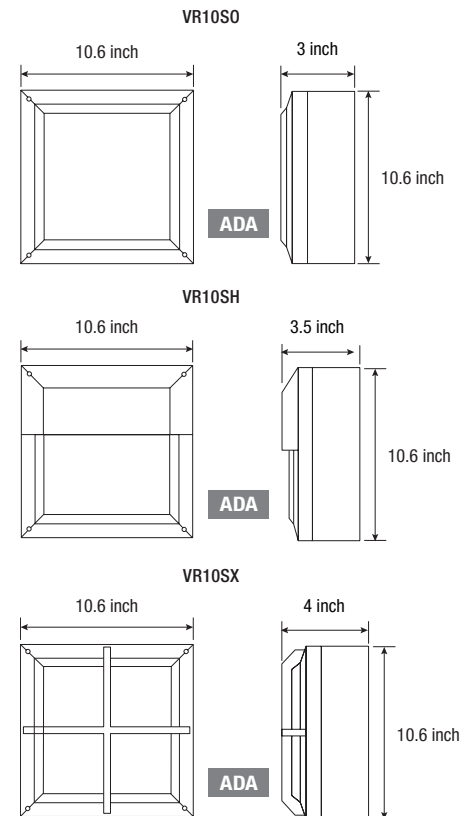
Paramount will replace or repair any fixture damaged due to vandalism for the lifetime of the fixture installation.

WARRANTY:

10-Year Limited material and workmanship warranty.

FRONT VIEW

SIDE VIEW



VR10S Series – Wet Location

PRODUCT ORDERING CODE

SERIES	VOLTAGE	CCT	CRI	LUMENS ³	FINISH	OPTIONS
PMVR10SO Wet Location	UNV 120 - 277 VAC		CRI85 85 CRI			
PMVR10SH Wet Location	347V 347 VAC (Integral)		CRI93 93 CRI			
PMVR10SX Wet Location	120V 120 VAC (PE Option)					
	277V 120 VAC (PE Option)					
		27K 2700K			BKE Black	
		3K 3000K			BRE Bronze	
		35K 3500K			GRE Graphite Grey	
		4K 4000K			SLE Silver	
					WHE White	
					CCE Custom Color	



PMVR10SO	7L 700 lm (10W) 12L 1188 lm (18W) 17L 1650 lm (21W) 24L 3645 lm (32W) 31L 3100 lm (41W)	Battery Backup & LED Driver Remote (Indoor), 40W, IP20, IK08, NEMA 1, 0° to 48 °C (32° to 118 °F), 30 FT Maximum Distance with 12AWG (w/UNV Option Only), 500 Lumens Nominal BBUR
PMVR10SH	7L 700 lm (14W) 11L 1050 lm (21W) 16L 1550 lm (31W) 21L 2050 lm (41W)	Battery Backup & LED Driver Remote (Outdoor), IP67, IK10, NEMA 4X, -20° to 55°C (-4° to 131°F), 30 FT Maximum Distance with 12AWG (w/UNV Option Only), 600 Lumens Nominal BBUX
PMVR10SX	7L 700 lm (10W) 11L 1050 lm (14W) 17L 1650 lm (21W) 24L 2375 lm (31W) 30L 3000 lm (41W)	CSM Conduit Surface Mount ELV ELV Dimming (120V Only) LD 0-10V Dimming, 1% (Standard) F Fuse Line (1 Fuse with LED Driver, 2 Fuses with BBUR & BBUX Options) PE120 Photo Eye for 120V PE277 Photo Eye for 277V SP20 20kV Surge Protector (1 SP20 w/ LED Driver, 2 SP20 w/ BBUR & BBUX Options) TPS Tamper Proof Screws

Selection must match the selected product

VR10S Series

LUMENS

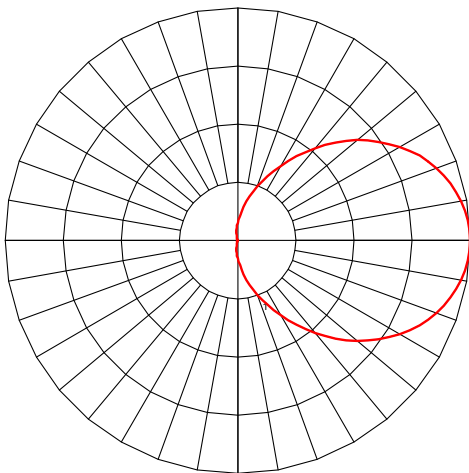
Model	Watts	LM79 Test Result @ Max Lumens
		4K (4000 Kelvin, CRI 83) Nominal
PMVR10SO	41W	3100 lm
PMVR10SH	41W	2050 lm
PMVR10SX	41W	3100 lm

CCT Multiplier (CRI83)	
CCT	Multiplier
3000K	0.96
3500K	0.96
4000K	1.00
5000K	1.00

0-10V Approved Dimmer List	
Manufacturer	Manufacturer Part Number
Lutron	Diva DVST-XX
	Diva DVST-453PH-WH1
Leviton	Illumatech 010-IP710-DLZ

PHOTOMETRICS

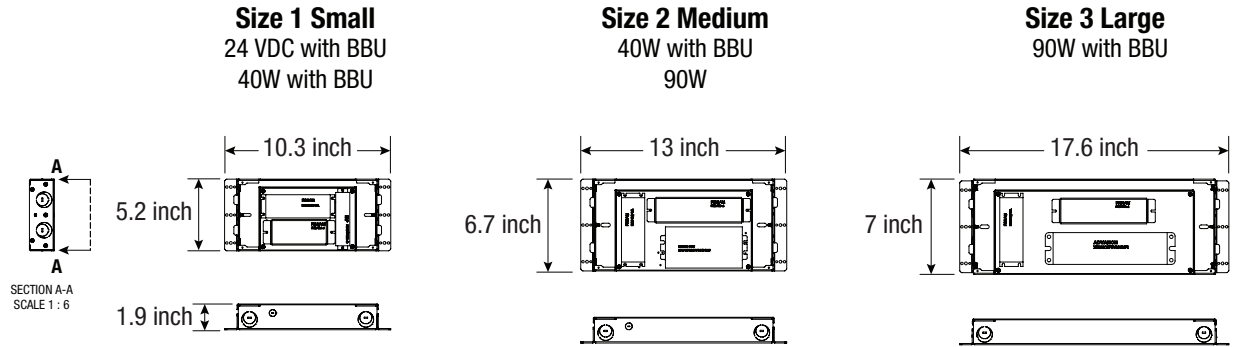
90°



VR10S Series

BATTERY BACKUP

BBUR — Battery Backup & LED Driver Remote (Indoor), IP20, IK08, NEMA 1, 0 to 48 °C (32 to 118 °F), 30 feet Maximum Distance with 12 AWG (with UNV Option Only)



BBUX — Battery Backup & LED Driver Remote (Outdoor), IP67, IK10, NEMA 4X, -20 to 55 °C (-4 to 131 °F), 30 feet Maximum Distance with 12AWG (with UNV Option Only)

