

VRSW9 Series

Vandal Resistant

Stair Light, Surface Mount



SPECIFICATIONS

HOUSING:

Constructed of nominal 18GA (0.048") zinc coated steel and heavy wall die-cast endcaps for unmatched corrosion protection. Endcaps allow for 1/2 inch NPT K/O for wireway access options. Multiple lengths in 1 FT, 2 FT, 3 FT, and 4 FT available.

FINISH:

Six stage chemical iron phosphate conversion pre-treatment. Polyester powder coat finish, 18 μm Minutes, 3000 hours salt spray test (ASTM B117) AAMA 2603 specification with optional AAMA 2604.

LENS:

High impact IK10 rated, 0.125" ribbed-extruded design, optical grade, semi-translucent polycarbonate with a high efficacy diffusion optic allows a Lambertian distribution (110° beam) of +120LPW.

LENS FRAME:

Exclusively designed, heavy duty tooled, 18GA (0.048") zinc coated steel is used to discretely hold the lens frame tightly to the housing.

REFLECTOR:

Painted with a minimum reflectance of 88%.

DIMMING:

0-10V Dimming, 1% Standard. Optional Field Adjustable Ultra Sonic Sensor which adjusts with dip switch. Sensor allows for adjustments to light output (50%, 25%, 10% Off), motion sensitivity (13 ft (4.0 m) / 18 ft (5.5m) / 35 ft (10.7 m)), time between sensing and non-sensing cycles (1, 5, and 20 minutes), and Photocell for daylight sensing. Dip switch access is in front of luminaire is protected by a removable dust cap during normal operation. Factory installed and connected to 0-10V leads on LED driver and Power pack with Relay Control cuts power off to luminaire for power harvesting. Bluetooth® option pairs with Android or iOS mobile application (PacWave Sensor).

ELECTRICAL:

High efficiency LED/Driver combination delivers +120 lm/W with multiple Power options for each length housing. Equipped with 80+ CRI LED Source with CCT options in 3000K, 3500K, 4000K, and 5000K. THD <10%@120V, <15%@277V, PF> 0.95.

MOUNTING:

Easy to install, ceiling or wall mount. Optional conduit surface mounts. See ordering options for more details.

OPERATING TEMPERATURE:

-20° to 45°C (-4° to 113°F)

LIFETIME VANDAL RESISTANCE WARRANTY:

Paramount will repair any luminaire damaged due to vandalism for the lifetime of the luminaire installation.

WARRANTY:

10-Year Limited material and workmanship warranty.

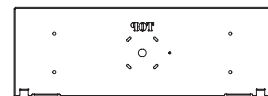
APPLICATIONS:

- ETL/cETL Listed Indoor Damp or Dry Location
- Industrial & Commercial
- Education, Healthcare, Sports and Recreation, Transportation
- Stairwells and Stairways

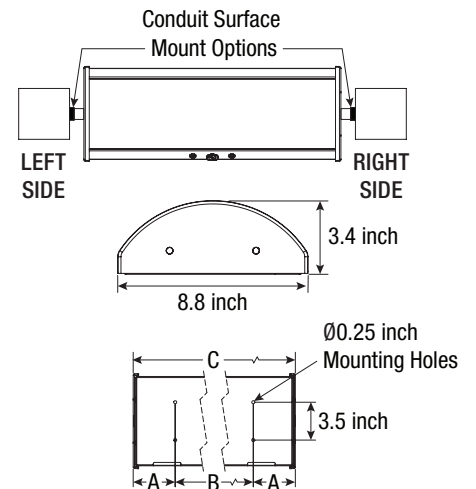
FEATURES:

- Special hinge requiring a single screw for easy install
- 0-10V Dimming, 1% Standard
- Field tuneable sensor control and Bluetooth® optional
- Designed for IP43
- IK10 Impact rating
- 1.5G Vibration Test rating
- Every luminaire tested to assure customer satisfaction
- Lifetime Vandal Resistance Warranty
- 10-Year limited warranty

BACK VIEW (Standard)



CONDUIT SURFACE MOUNTS (Optional)



LENGTH (ft)	WEIGHT (lbs)	DIMENSIONS IN INCHES		
		A	B	C
1	6.6	2.1	8	12
2	9.8	3.9	16	23.75
3	13	9.8	16	35.5
4	16.3	7.7	32	47.4

TG-TD-062824

Due to continuous development and improvements, specifications are subject to change without notice.

VRSW9 Series – Damp/Dry Location

PRODUCT ORDERING CODE

SERIES	LENGTH	MOUNTING	VOLTAGE	CCT	CRI	LUMENS	FINISH	LENS	DIMMING	OPTIONS
PMVRSW9		SF	UNV		CRI83			L10		
PMVRSW9 Damp/Dry Location			UNV 120-277V		CRI83 83 CRI				LD 0-10V Dimming, 1% Field Adjustable Ultra Sonic FLD Sensor 0-10V, Fixed Levels 50%, 25%, 10%, Off (Optional) Bluetooth® Field Adjustable Ultra Sonic Sensor 0-10V, Fixed Levels 50%, 25%, 10%, Off (Optional) BFLD	
	1 1 FT 2 2 FT 3 3 FT 4 4 FT			3K 3000K 35K 3500K 4K 4000K 5K 5000K			WHR White (Reflective) BKI Black* BRI Bronze* SLI Silver* WHI White* CCI Custom Color* BKE Black** BRE Bronze** GRE Graphite Grey** SLE Silver** WHE White** CCE Custom Color** *Interior AAMA 2603 Coating **Exterior AAMA 2604 Coating			
		SF Surface Mount						L10 0.125 Ribbed-Extruded Semi-Translucent Polycarbonate		
						1 FT 16L 1600 lm (14W) 116 lm/W 27L 2700 lm (25W) 114 lm/W 2 FT 29L 2900 lm (25W) 124 lm/W 59L 5900 lm (50W) 115 lm/W 3 FT 42L 4200 lm (35W) 124 lm/W 77L 7700 lm (65W) 120 lm/W 4 FT 63L 6300 lm (50W) 124 lm/W 112L 11200 lm (95W) 119 lm/W			BBU Battery Backup, Integral Battery Backup & LED Driver Remote (Indoor), 40W, IP20, IK08, NEMA 1, BBUR 0° to 48 °C (32° to 118 °F), 30 FT Maximum Distance with 12AWG (w/UNV Option Only), 500 Lumens Nominal Battery Backup & LED Driver Remote (Outdoor), IP67, IK10, NEMA 4X, -20° to 55°C (-4° to 131°F), 30 FT Maximum Distance with 12AWG (w/UNV Option Only), 600 Lumens Nominal BBUX F Fuse Line (1 Fuse with LED Driver, 2 Fuses with BBUR & BBUS Options)	
										CSMR Conduit Surface Mount (Right Side) CSML Conduit Surface Mount (Left Side) CSMB Conduit Surface Mount (Both Side)

Selection must match the selected length

VRSW9 Series

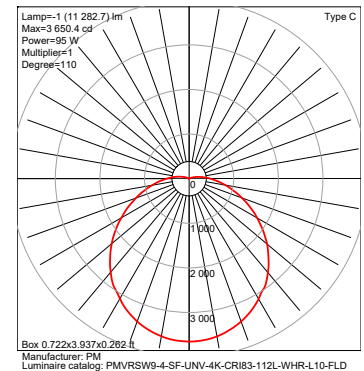
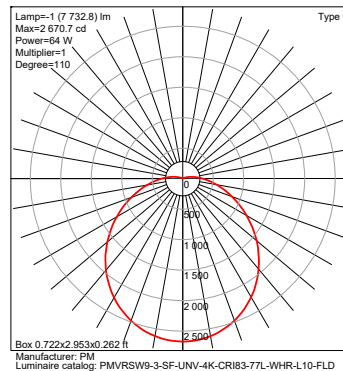
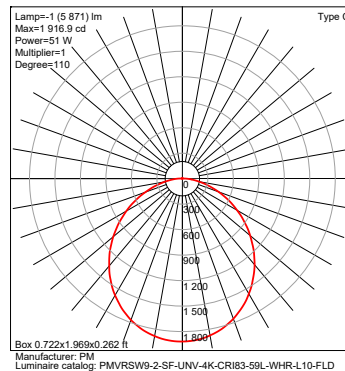
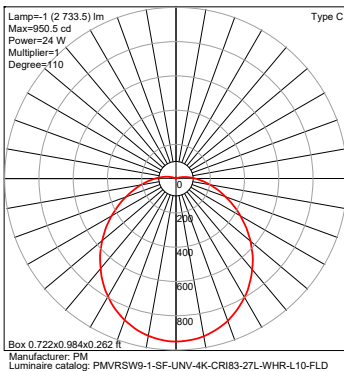
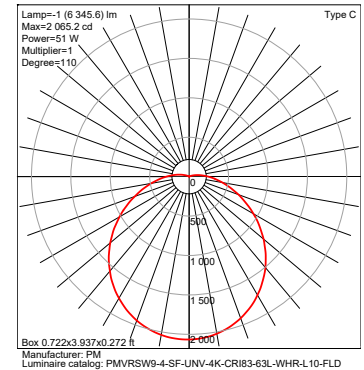
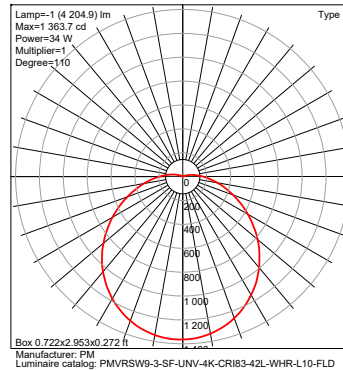
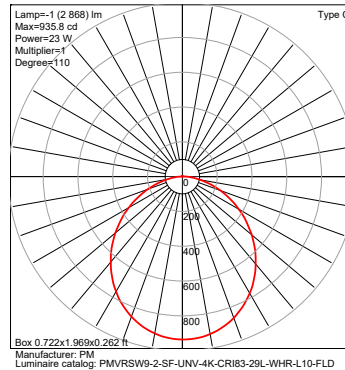
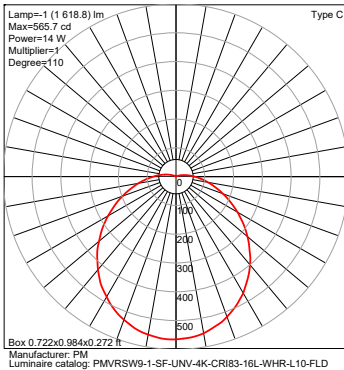
LUMENS

Model	Watts	LM79 Test Result @ Max Lumens
		4K (4000 Kelvin, CRI 83) Nominal
PMVRSW9-1	14-25W	1600-2700 lm
PMVRSW9-2	25-50W	2900-5900 lm
PMVRSW9-3	35-65W	4200-7700 lm
PMVRSW9-4	50-95W	6300-11200 lm

CCT Multiplier (CRI83)	
CCT	Multiplier
3000K	0.96
3500K	0.97
4000K	1.00
5000K	1.03

0-10V Approved Dimmer List	
Manufacturer	Manufacturer Part Number
Lutron	Diva DVST-XX
	Diva DVST-453PH-WH1
Leviton	Illumatech 010-IP710-DLZ

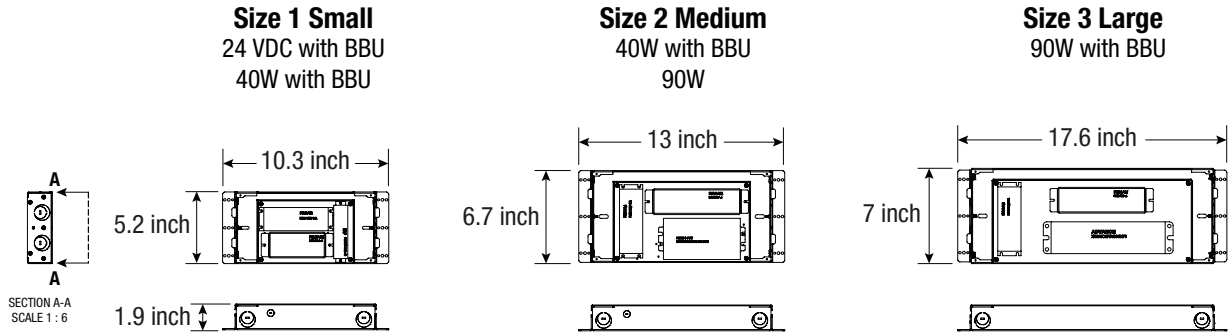
PHOTOMETRICS



VRSW9 Series

BATTERY BACK-UPS

BBUR — Battery Backup & LED Driver Remote (Indoor), IP20, IK08, NEMA 1, 0 to 48 °C (32 to 118 °F), 30 feet Maximum Distance with 12 AWG (with UNV Option Only)



BBUX — Battery Backup & LED Driver Remote (Outdoor), IP67, IK10, NEMA 4X, -20 to 55 °C (-4 to 131 °F), 30 feet Maximum Distance with 12AWG (with UNV Option Only)

