

VRSW7 Series

Vandal Resistant

Stair Light, Surface Mount



APPLICATIONS:

- ETL/cETL Listed Indoor Damp or Dry Location
- Industrial & Commercial
- Education, Healthcare, Sports and Recreation, Transportation
- Stairwells and Stairways

FEATURES:

- Special hinge requiring a single screw for easy install
- 0-10V Dimming, 1% Standard
- Designed for IP43
- IK10 Impact rating
- 1.5G Vibration Test rating
- Every luminaire tested to assure customer satisfaction
- Lifetime Vandal Resistance Warranty
- 10-Year limited warranty

SPECIFICATIONS

HOUSING:

Constructed of nominal 18GA (0.048") zinc coated steel and heavy wall die-cast aluminum endcaps for unmatched corrosion protection. Endcaps allow for 1/2 inch NPT K/O for wireway access options. Multiple lengths in 1 FT, 2 FT, 3 FT and 4 FT available.

FINISH:

Six stage chemical iron phosphate conversion pre-treatment. Polyester powder coat finish, 18 µm Minutes, 3000 hours salt spray test (ASTM B117) AAMA 2603 specification with optional AAMA 2604.

LENS:

High impact IK10 rated, 0.125" ribbed-extruded design, optical grade, semi-translucent polycarbonate with a high efficacy diffusion optic allows a Lambertian distribution (110° beam) of +120LPW.

LENS FRAME:

Exclusively designed, heavy duty tooled, 18GA (0.048") zinc coated steel is used to discretely hold the lens frame tightly to the housing.

REFLECTOR:

Painted with a minimum reflectance of 88%.

DIMMING:

0-10V Dimming, 1% Standard.

ELECTRICAL:

High efficiency LED/Driver combination delivers +120 lm/W with multiple Power options for each length housing. Equipped with 80+ CRI LED Source with CCT options in 3000K, 3500K, 4000K, and 5000K. THD <10%@120V, <15%@277V, PF> 0.95.

MOUNTING:

Easy to install, ceiling or wall mount. Optional conduit surface mounts. See ordering options for more details.

OPERATING TEMPERATURE:

-20° to 45°C (-4° to 113°F)

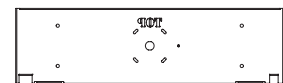
LIFETIME VANDAL RESISTANCE WARRANTY:

Paramount will repair any luminaire damaged due to vandalism for the lifetime of the luminaire installation.

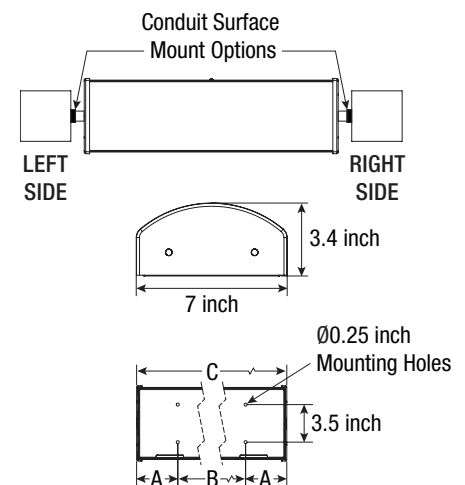
WARRANTY:

10-Year Limited material and workmanship warranty.

BACK VIEW (Standard)



CONDUIT SURFACE MOUNTS (Optional)



| LENGTH (ft) | WEIGHT (lbs) | DIMENSIONS IN INCHES | | |
|----------------|-----------------|----------------------|----|-------|
| | | A | B | C |
| 1 | 6.1 | 2.1 | 8 | 12 |
| 2 | 8.8 | 3.9 | 16 | 23.75 |
| 3 | 11.7 | 9.8 | 16 | 35.5 |
| 4 | 14.5 | 7.7 | 32 | 47.4 |

VRSW7 Series – Damp/Dry Location

PRODUCT ORDERING CODE

| SERIES | LENGTH | MOUNTING | VOLTAGE | CCT | CRI | LUMENS | FINISH | LENS | DIMMING | OPTIONS |
|-------------------------------------|--|-------------------------|--------------------------|---|---------------------|--|--|------------|-----------------------------|--|
| PMVRSW7 | | SF | UNV | | CRI83 | | | L10 | LD | |
| PMVRSW7 Damp/Dry Location | | | UNV 120 - 277 VAC | | CRI83 83 CRI | | | | LD 0-10V Dimming, 1% | |
| | 1 1 FT 2 2 FT 3 3 FT 4 4 FT | | | 27K 2700K 3K 3000K 35K 3500K 4K 4000K 5K 5000K | | | WHR White (Reflective) BKI Black* BRI Bronze* SLI Silver* WHI White* CCI Custom Color* BKE Black** BRE Bronze** GRE Graphite Grey** SLE Silver** WHE White** CCE Custom Color** | | | |
| | | SF Surface Mount | | | | | L10 0.125 Ribbed-Extruded Semi-Translucent Polycarbonate | | | |
| | | | | | | 1 FT 16L 1600 lm (14W) 116 lm/W 27L 2700 lm (25W) 114 lm/W | | | | BBU Battery Backup, Integral |
| | | | | | | 2 FT 29L 2900 lm (25W) 124 lm/W 59L 5900 lm (50W) 115 lm/W | | | | Battery Backup & LED Driver Remote (Indoor), 40W, IP20, IK08, NEMA 1, BBUR 0° to 48 °C (32° to 118 °F), 30 FT Maximum Distance with 12AWG (w/UNV Option Only), 500 Lumens Nominal |
| | | | | | | 3 FT 42L 4200 lm (35W) 124 lm/W 77L 7700 lm (65W) 120 lm/W | | | | Battery Backup & LED Driver Remote (Outdoor), IP67, IK10, NEMA 4X, -20° to 55°C (-4° to 131°F), 30 FT Maximum Distance with 12AWG (w/UNV Option Only), 600 Lumens Nominal |
| | | | | | | 4 FT 63L 6300 lm (50W) 124 lm/W 112L 11200 lm (95W) 119 lm/W | | | | F Fuse Line (1 Fuse with LED Driver, 2 Fuses with BBUR & BBUS Options) |
| | | | | | | | | | | CSMR Conduit Surface Mount (Right Side) |
| | | | | | | | | | | CSML Conduit Surface Mount (Left Side) |
| | | | | | | | | | | CSMB Conduit Surface Mount (Both Side) |

Selection must match the selected length

VRSW7 Series

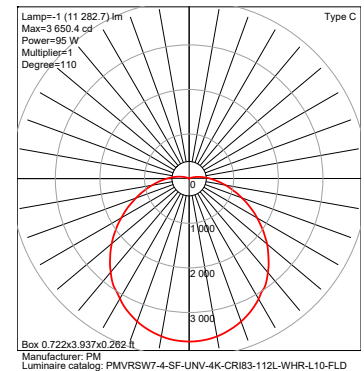
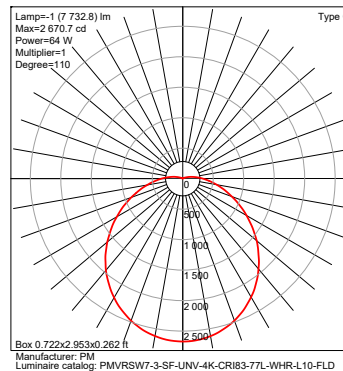
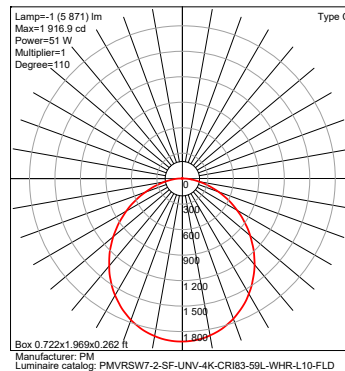
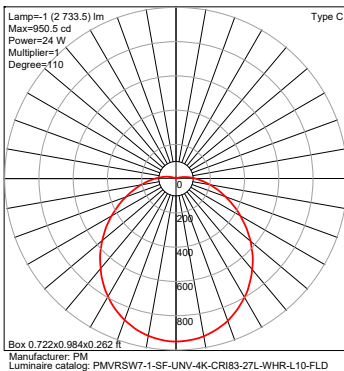
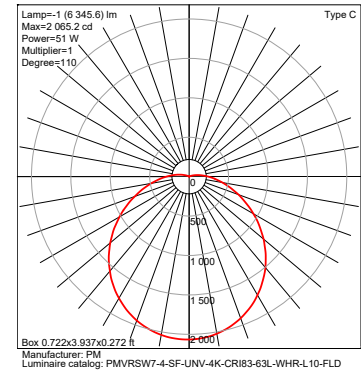
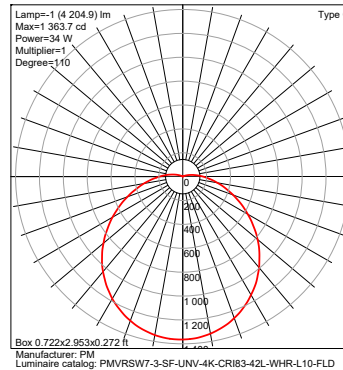
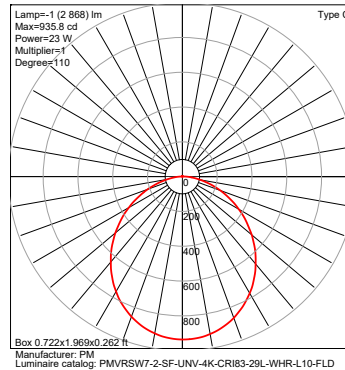
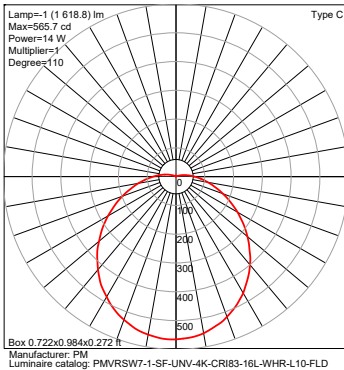
LUMENS

| Model | Watts | LM79 Test Result @ Max Lumens |
|-----------|--------|----------------------------------|
| | | 4K (4000 Kelvin, CRI 83) Nominal |
| PMVRSW7-1 | 14-25W | 1600-2700 lm |
| PMVRSW7-2 | 25-50W | 2900-5900 lm |
| PMVRSW7-3 | 35-65W | 4200-7700 lm |
| PMVRSW7-4 | 50-95W | 6300-11200 lm |

| CCT Multiplier (CRI83) | |
|------------------------|------------|
| CCT | Multiplier |
| 3000K | 0.96 |
| 3500K | 0.97 |
| 4000K | 1.00 |
| 5000K | 1.03 |

| 0-10V Approved Dimmer List | |
|----------------------------|--------------------------|
| Manufacturer | Manufacturer Part Number |
| Lutron | Diva DVST-XX |
| | Diva DVST-453PH-WH1 |
| Leviton | Illumatech 010-IP710-DLZ |

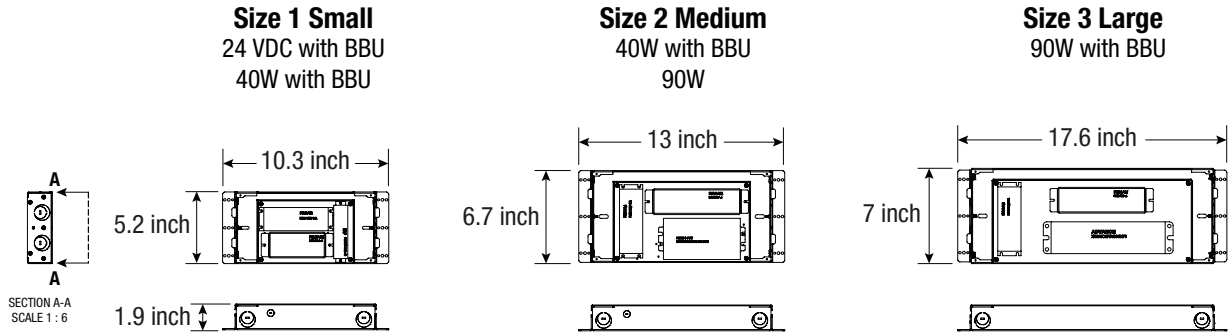
PHOTOMETRICS



VRSW7 Series

BATTERY BACKUPS

BBUR — Battery Backup & LED Driver Remote (Indoor), IP20, IK08, NEMA 1, 0 to 48 °C (32 to 118 °F), 30 feet Maximum Distance with 12 AWG (with UNV Option Only)



BBUX — Battery Backup & LED Driver Remote (Outdoor), IP67, IK10, NEMA 4X, -20 to 55 °C (-4 to 131 °F), 30 feet Maximum Distance with 12AWG (with UNV Option Only)

