

# F3 Series

# Flange Techniseal Troffer

Rear Access | Flange Mount



**APPLICATIONS:**

- ETL/cETL Listed Wet Location
- Cleanroom (Classes 100-100,000; ISO Classes 5-9)
- NSF Certified Food Processing (Splash Zone, Food Zone)
- Industrial & Commercial
- Transit

**FEATURES:**

- Rear Access
- L70 ≥ 60,000 hours
- Available in Stainless Steel construction
- Premium Driver with Dimming standard
- Type IC
- Every luminaire tested to assure customer satisfaction
- 5-Year limited warranty

**SPECIFICATIONS**

**HOUSING:**

Constructed of nominal 20GA (0.036) zinc coated steel for unmatched corrosion protection. Two welded, tapered, threaded flanges on the top provide a sealed wireway access. All seams are sealed with a long life acrylic sealant.

**REFLECTOR:**

Fabricated of aluminum, painted with a minimum reflectance of 88%.

**LENS FRAME:**

Exclusively designed, heavy duty, extruded, anodized aluminum with stainless steel captive screws used to hold the lens frame tight to the housing. The frame is hinged for support while servicing.

**Food Zone:** Lens frame and trim frame of stainless steel (S6 option std).

**GASKETING:**

An extruded, ribbed vinyl gasket seals the lens into the frame; with our exclusive, mechanically held, extruded, silicone gasket used to seal the frame to the housing.

**Food Zone:** Silicone sealant is used to seal the lens into the frame, with extruded EPDM sealing the frame to the housing.

**FINISH:**

Painted surfaces are two mil white polyester enamel, special colors available.

**LENS:**

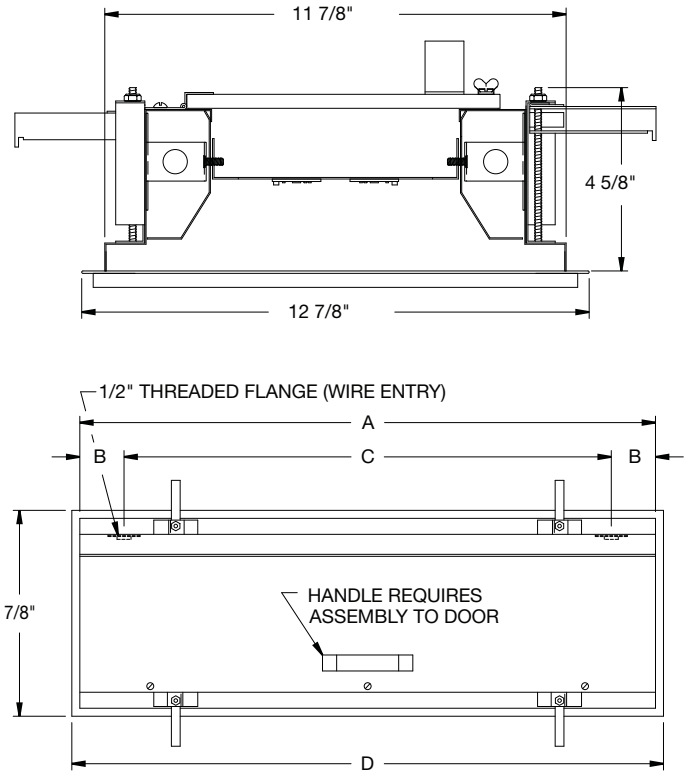
0.125 StarFrost Acrylic with 50% DR content for durability, smooth side out. See Ordering Information for other high quality lens options.

**ELECTRICAL:**

High efficiency LED/Driver combination delivers 160 Lumens/Watt raw array efficacy with 80+ CRI. 4000K color temperature is standard with options for 2700, 3000, 3500 and 5000K. 0-10V dimming comes standard with other control options available. THD <10%@120V, <15%@277V, PF> 0.95.

**MOUNTING:**

Recessed flange mounting only. Not suitable for T-Bar grid ceilings or surface mounting.

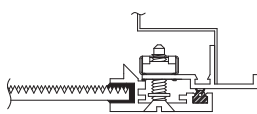


**CEILING CUT-OUT DIMENSIONS:**

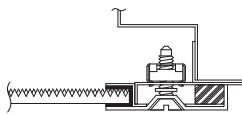
- 2FT: 12 1/8" x 24 1/4"
- 4FT: 12 1/8" x 48 1/4"

LENGTH (ft)	WEIGHT (lbs)	DIMENSIONS IN INCHES			
		A	B	C	D
2	16	23 31/32	2	20	25
4	26	47 15/16	2	44	49 1/16

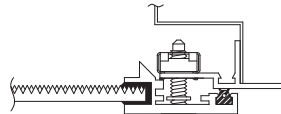
**LENS FRAME DETAILS**



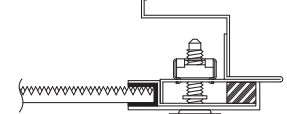
ALUMINUM  
LENS FRAME DETAIL



STAINLESS STEEL  
LENS FRAME DETAIL



SPLASH ZONE  
LENS FRAME DETAIL



FOOD ZONE  
LENS FRAME DETAIL

GM-TD-121224

Due to continuous development and improvements, specifications are subject to change without notice.

# F3 Series – Wet & NSF Splash Zone Locations

## PRODUCT ORDERING CODE

SERIES	LENGTH	MOUNTING	VOLTAGE	CCT	CRI	LUMENS	FINISH	LENS	DIMMING	OPTIONS
<b>PMF3</b> Wet Location <b>PMSF3</b> NSF Splash Zone <sup>1</sup>	<b>2</b> 2 FT <b>4</b> 4 FT	<b>FM</b> Flange Mount	<b>UNV</b> 120 - 277 VAC	<b>27K</b> 2700K <sup>3</sup> <b>3K</b> 3000K <b>35K</b> 3500K <b>4K</b> 4000K <b>5K</b> 5000K	<b>CRI83</b> 83 CRI <b>CRI90</b> 90 CRI				<b>LD</b> Dimming 0-10V	
							<b>PZ</b> Painted Zinc Steel Housing, Aluminum Lens Frame & Trim Frame <b>S2</b> Stainless Steel Housing, Aluminum Lens Frame & Trim Frame <b>S3</b> Stainless Steel Complete <b>S5</b> Stainless Steel Lens Frame, Painted Zinc Steel Trim Frame & Housing <b>S6</b> Stainless Steel Lens & Trim Frame, Painted Zinc Steel Housing			
								<b>L3</b> 0.125 White Acrylic (Cell Cast) <b>LH3</b> 0.150 Extra Heavy White Acrylic <b>L4</b> 0.140 50% DR Ext. Prismatic Acrylic (P20) <b>L5</b> 0.118 StarFrost <sup>®</sup> Acrylic (base) <b>L7</b> 0.125 White Polycarbonate <b>L8</b> 0.156 Prismatic Polycarbonate (P12) <b>L9</b> 0.187 Tempered Glass (P62) <sup>4</sup> <b>LJ4</b> 0.020 White Acrylic Overlay (Array Side)		
	<b>2 FT</b>					<b>19L</b> 1900 lm (18W) <b>37L</b> 3700 lm (33W)				<b>BBU</b> 10W Battery Backup, Integral <b>BBU1</b> 12W Battery Backup, Integral <b>BBUR2</b> 20W Battery Backup, Remote <sup>5</sup>
	<b>4 FT</b>					<b>37L</b> 3700 lm (33W) <b>74L</b> 7400 lm (66W)				<b>F1</b> GLR/HLR Fusing (Fast) <b>F2</b> GMF/HLR Fusing (Slow) <b>P11</b> Guardcraft <sup>®</sup> Antimicrobial Coating <sup>6</sup> <b>T3</b> Tamper Resistant (Hex w/pin or other) <b>V1</b> External Gasketing
						Selection must match the selected length	Lumens (Typical)			

Footnotes:

- <sup>1</sup> NSF Splash Zone luminaires (PMS prefix) may become soiled, but are outside the danger of recontamination
- <sup>3</sup> Only 90 CRI
- <sup>4</sup> Only Available with Stainless Steel Lens Frame
- <sup>5</sup> The 20W Battery Backup Remote powers a minimum of 3 luminaires and must be mounted on the outside of the luminaire or in a remote dry/damp location.
- <sup>6</sup> Only Available with White Painted Zinc Steel Finish

# F3 Series – NSF Food Zone Location

## PRODUCT ORDERING CODE

SERIES	LENGTH	MOUNTING	VOLTAGE	CCT	CRI	LUMENS	FINISH	LENS	DIMMING	OPTIONS
<b>PMFF3</b>		<b>FM</b>	<b>UNV</b>						<b>LD</b>	
<b>PMFF3</b> NSF Food Zone <sup>2</sup>			<b>UNV</b> 120 - 277 VAC		<b>CRI83</b> 83 CRI <b>CRI90</b> 90 CRI				<b>LD</b> Dimming 0-10V	
	<b>2</b> 2 FT <b>4</b> 4 FT	<b>FM</b> Flange Mount		<b>27K</b> 2700K <sup>3</sup> <b>3K</b> 3000K <b>35K</b> 3500K <b>4K</b> 4000K <b>5K</b> 5000K			<b>S3</b> Stainless Steel Complete <b>S6</b> Stainless Steel Lens & Trim Frame, Painted Zinc Steel Housing			
								<b>L4</b> 0.140 50% DR Ext. Prismatic Acrylic (P20) <b>L5</b> 0.118 StarFrost® Acrylic (base) <b>L9</b> 0.187 Tempered Glass (P62) <sup>4</sup>		
						<b>2 FT</b> <b>4 FT</b>	<b>19L</b> 1900 lm (18W) <b>37L</b> 3700 lm (33W) <b>37L</b> 3700 lm (33W) <b>74L</b> 7400 lm (66W)			<b>BBU</b> 10W Battery Backup, Integral <b>BBU1</b> 12W Battery Backup, Integral <b>BBUR2</b> 20W Battery Backup, Remote <sup>5</sup>
						Selection must match the selected length	Lumens (Typical)			<b>F1</b> GLR/HLR Fusing (Fast) <b>F2</b> GMF/HLR Fusing (Slow) <b>P11</b> Guardcraft® Antimicrobial Coating <sup>6</sup> <b>V1</b> External Gasketing

Footnotes:

<sup>2</sup> NSF Food Zone luminaires (PMF prefix) come in DIRECT CONTACT with food

<sup>3</sup> Only 90 CRI

<sup>4</sup> Only Available with Stainless Steel Lens Frame

<sup>5</sup> The 20W Battery Backup Remote powers a minimum of 3 luminaires and must be mounted on the outside of the luminaire or in a remote dry/damp location.

<sup>6</sup> Only Available with White Painted Zinc Steel Finish