

## F2 Series

# Flange Techniseal Troffer

### Flange Mount



#### APPLICATIONS:

- ETL/cETL Listed Wet Location
- Cleanroom  
(Classes 100-100,000; ISO Classes 5-9)
- NSF Certified Food Processing  
(Splash Zone, Food Zone)
- Industrial & Commercial
- Transit

#### FEATURES:

- Available with IP 65 rating, add -IP65 suffix (requires stainless steel lens frame & trim frame)
- L70 ≥ 60,000 hours
- Available in Stainless Steel construction
- Premium Driver with Dimming standard
- Type IC
- Every luminaire tested to assure customer satisfaction
- 5-Year limited warranty

### SPECIFICATIONS

#### HOUSING:

Constructed of nominal 20GA (0.036) zinc coated steel for unmatched corrosion protection. Two welded, tapered, threaded flanges on the top provide a sealed wireway access. All seams are sealed with a long life acrylic sealant.

#### FINISH:

Painted surfaces are two mil white polyester enamel, special colors available.

#### LENS:

0.125 StarFrost Acrylic with 50% DR content for durability, smooth side out. See Ordering Information for other high quality lens options.

#### LENS FRAME:

Exclusively designed, heavy duty, extruded, anodized aluminum with stainless steel captive screws used to hold the lens frame tight to the housing. The frame is hinged for support while servicing.

**Food Zone:** Lens frame and trim frame of stainless steel (S6 option std).

#### REFLECTOR:

Fabricated of aluminum, painted with a minimum reflectance of 88%.

#### GASKETING:

An extruded, ribbed vinyl gasket seals the lens into the frame; with our exclusive, mechanically held, extruded, silicone gasket used to seal the frame to the housing.

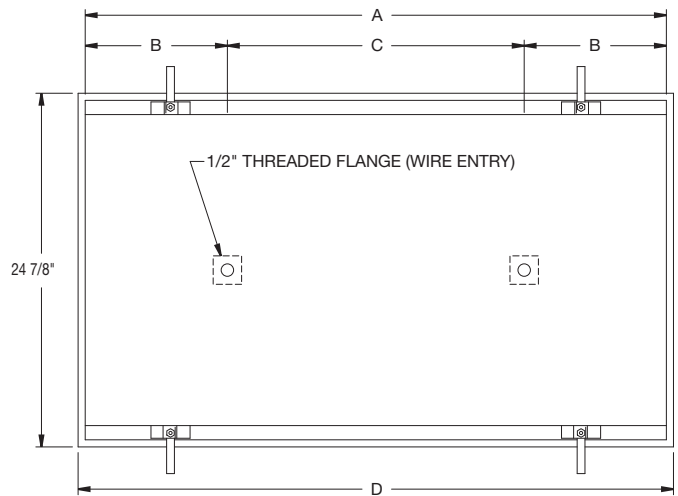
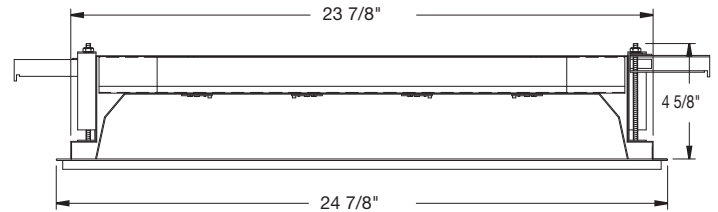
**Food Zone:** Silicone sealant is used to seal the lens into the frame, with extruded EPDM sealing the frame to the housing.

#### ELECTRICAL:

High efficiency LED/Driver combination delivers 160 Lumens/Watt raw array efficacy with 80+ CRI. 4000K color temperature is standard with options for 2700K, 3000K, 3500K, and 5000K. 0-10V dimming comes standard with other control options available. THD <10%@120V, <15%@277V, PF> .95.

#### MOUNTING:

Recessed flange mounting only. Not suitable for T-Bar grid ceilings or surface mounting.

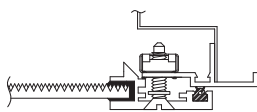


#### CEILING CUT-OUT DIMENSIONS:

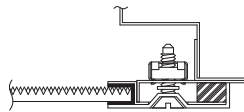
2FT: 24 1/4" x 24 1/4"  
4FT: 24 1/4" x 48 1/4"

LENGTH (ft)	WEIGHT (lbs)	DIMENSIONS IN INCHES			
		A	B	C	D
2	26	23 29/32	5 5/16	13 1/4	24 7/8
4	46	47 15/16	5	38	49 1/16

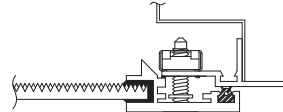
### LENS FRAME DETAILS



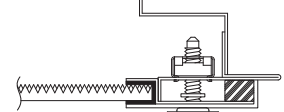
ALUMINUM  
LENS FRAME DETAIL



STAINLESS STEEL  
LENS FRAME DETAIL



SPLASH ZONE  
LENS FRAME DETAIL



FOOD ZONE  
LENS FRAME DETAIL

GM-TD-120224

Due to continuous development and improvements, specifications are subject to change without notice.

# F2 Series – Wet & NSF Splash Zone Locations

## PRODUCT ORDERING CODE

SERIES	LENGTH	MOUNTING	VOLTAGE	CCT	CRI	LUMENS	FINISH	LENS	DIMMING	OPTIONS
<b>PMF2</b> Wet Location <b>PMSF2</b> NSF Splash Zone <sup>1</sup>	<b>2</b> 2 FT <b>4</b> 4 FT	<b>FM</b> Flange Mount	<b>UNV</b> 120 - 277 VAC	<b>27K</b> 2700K <b>3K</b> 3000K <b>35K</b> 3500K <b>4K</b> 4000K <b>5K</b> 5000K	<b>CRI83</b> 83 CRI <b>CRI90</b> 90 CRI				<b>LD</b> Dimming 0-10V	
							<b>PZ</b> Painted Zinc Steel Housing, Aluminum Lens Frame & Trim Frame <b>S2</b> Stainless Steel Housing, Aluminum Lens Frame & Trim Frame <b>S3</b> Stainless Steel Complete <b>S5</b> Stainless Steel Lens Frame, Painted Zinc Steel Trim Frame & Housing <b>S6</b> Stainless Steel Lens & Trim Frame, Painted Zinc Steel Housing			<b>L3</b> 0.125 White Acrylic (Cell Cast) <b>LH3</b> 0.150 Extra Heavy White Acrylic <b>L4</b> 0.140 50% DR Ext. Prismatic Acrylic (P20) <b>L5</b> 0.118 StarFrost® Acrylic (base) <b>L7</b> 0.125 White Polycarbonate <b>L8</b> 0.156 Prismatic Polycarbonate (P12) <b>L9</b> 0.187 Tempered Glass (P62) <b>LJ4</b> 0.020 White Acrylic Overlay (Array Side)
						<b>17L</b> 1700 lm (16W) <b>35L</b> 3500 lm (31W) <b>53L</b> 5300 lm (46W) <b>70L</b> 7000 lm (61W) <b>38L</b> 3800 lm (33W) <b>76L</b> 7600 lm (66W) <b>113L</b> 11300 lm (98W) <b>151L</b> 15100 lm (131W)			<b>BBU</b> 10W Battery Backup, Integral <b>BBU1</b> 12W Battery Backup, Integral <b>BBUR2</b> 20W Battery Backup, Remote <sup>5</sup> <b>F1</b> GLR/HLR Fusing (Fast) <b>F2</b> GMF/HLR Fusing (Slow) <b>IP65</b> IP Rated (Requires S6 Option) <b>P11</b> Guardcraft® Antimicrobial Coating <sup>6</sup> <b>T3</b> Tamper Resistant (Hex w/pin or other) <b>V1</b> External Gasketing	
						Selection must match the selected length	Lumens (typical)			

**Footnotes:**

<sup>1</sup> NSF Splash Zone luminaires (PMS prefix) may become soiled, but are outside the danger of recontamination.

<sup>5</sup> The 20W Battery Backup Remote powers a minimum of 3 luminaires and must be mounted on the outside of the luminaire or in a remote dry/damp location.

<sup>6</sup> Only Available with Painted Zinc Steel Finish.

# F2 Series – NSF Food Zone Location

## PRODUCT ORDERING CODE

SERIES	LENGTH	MOUNTING	VOLTAGE	CCT	CRI	LUMENS	FINISH	LENS	DIMMING	OPTIONS
<b>PMFF2</b>		<b>FM</b>	<b>UNV</b>						<b>LD</b>	
<b>PMFF2</b> NSF Food Zone <sup>2</sup>			<b>UNV</b> 120 - 277 VAC		<b>CRI83</b> 83 CRI <b>CRI90</b> 90 CRI				<b>LD</b> Dimming 0-10V	
	<b>2</b> 2 FT <b>4</b> 4 FT	<b>FM</b> Flange Mount		<b>27K</b> 2700K <b>3K</b> 3000K <b>35K</b> 3500K <b>4K</b> 4000K <b>5K</b> 5000K			<b>S3</b> Stainless Steel Complete <b>S6</b> Stainless Steel Lens & Trim Frame, Painted Zinc Steel Housing			
								<b>L4</b> 0.140 50% DR Ext. Prismatic Acrylic (P20) <b>L5</b> 0.118 StarFrost® Acrylic (base) <b>L9</b> 0.187 Tempered Glass (P62)		
	<b>2 FT</b>					<b>17L</b> 1700 lm (16W) <b>35L</b> 3500 lm (31W) <b>53L</b> 5300 lm (46W) <b>70L</b> 7000 lm (61W)			<b>BBU</b> 10W Battery Backup, Integral <b>BBU1</b> 12W Battery Backup, Integral <b>BBUR2</b> 20W Battery Backup, Remote <sup>5</sup>	
	<b>4 FT</b>					<b>38L</b> 3800 lm (33W) <b>76L</b> 7600 lm (66W) <b>113L</b> 11300 lm (98W) <b>151L</b> 15100 lm (131W)			<b>F1</b> GLR/HLR Fusing (Fast) <b>F2</b> GMF/HLR Fusing (Slow) <b>P11</b> Guardcraft® Antimicrobial Coating <sup>6</sup> <b>V1</b> External Gasketing	
						Selection must match the selected length	Lumens (typical)			

Footnotes:

- <sup>2</sup> NSF Food Zone luminaires (PMF prefix) come in DIRECT CONTACT with food.
- <sup>5</sup> The 20W Battery Backup Remote powers a minimum of 3 luminaires and must be mounted on the outside of the luminaire or in a remote dry/damp location.
- <sup>6</sup> Only Available with Painted Zinc Steel Finish.

**LUMEN OUTPUT:** All listed lumen values are nominal. Lens transmission and fixture efficiency affect overall lumens.

**INDIVIDUAL UNITS STANDARD**  
**NOT ALL COMBINATIONS POSSIBLE**