

VR14S Series

Vandal Resistant

14" Square, Surface Mount



APPLICATIONS:

- Garage & Canopy
- Industrial & Commercial
- Transit & Municipal
- Dorm Rooms
- Behavioral Health Facilities
- Public Schools
- Multi-family Housing

FEATURES:

- Long service life
- Vandal resistant construction and materials
- IK10 Impact rating
- 3.0G Vibration Test rating
- IP66 Ingress protection
- 0-10V, 1% Dimming
- Photo-eye and 20kV Surge Protection Options
- Remote Driver and Battery Back-up Options
- Lifetime Vandal Resistance Warranty
- 10-Year limited warranty

SPECIFICATIONS

HOUSING & LENS TRIM:

Marine grade die cast aluminum housing and lens trim. Six stage cleaning and saline pre-treatment. Super TGIC polyester powder coat finish, 18µm Minutes, 5000 hours salt spray test (ASTM B117) compliant with Florida / AAMA 2604 specification.

DIFFUSER:

One-piece white, high impact, UV stabilized polycarbonate, 0.125" NOM. Secured by lens ring using (4) stainless steel fasteners, or optional vandal proof stainless steel fasteners.

REFLECTOR:

Fabricated 5005 corrosion resistant aluminum. Six stage cleaning and saline pre-treatment. Polyester powder coat high reflectance white finish, 18µm Minutes, 5000 hours salt spray test (ASTM B117) compliant with Florida / AAMA 2604 specification.

GASKETS:

Thick urethane foam gasket for wall/ceiling mount. Lens sealed with an injection molded silicone seamless gasket housing seal.

TESTING AND RATINGS:

cETLus Listed, CE IEC 60598-1, IEC 60598-2-1

Wet location listed for wall or ceiling mount

IP66 (IEC 60598-1/60529) Ingress protection

3.0G (ANSI C136.31) Vibration resistance rated

IK10 (IEC6226) Impact resistance rated

IESNA LM79 Photometric testing by NVLAP accredited test lab

IESNA LM80 LED testing by NVLAP accredited test lab

IESNA TM21 Luminaire lumen depreciation projection to >70,000 hours

ELECTRICAL:

High efficiency, HPF (>94%@120V) Class Two LED driver Samsung LED, 85 or 93 CRI, 2 SDCM fixture to fixture color consistency. CEC Title 24 JA8 compliant (Only 93CRI). Standard dimming 0-10V (1%).

MOUNTING:

Mounts directly to wall and ceiling surface over standard junction boxes through (4) open holes in housing to provide most secure attachment for high abuse environments (screws appropriate to the mounting surface condition and substrate by others).

LIFETIME VANDAL RESISTANCE WARRANTY:

Paramount will replace or repair any fixture damaged due to vandalism for the lifetime of the fixture installation.

WARRANTY:

10-Year Limited material and workmanship warranty.

VR14SO



VR14SH



VR14SX



VR14S Series – Wet Location, Integral Driver

PRODUCT ORDERING CODE

| SERIES | VOLTAGE | CCT | CRI | LUMENS ³ | FINISH | OPTIONS |
|--|--|---|--|---------------------|---|---------|
| PMVR14SO Wet Location PMVR14SH Wet Location PMVR14SX Wet Location | UNV 120 - 277 VAC 120V 120 VAC (PE120 &/or SP20) 277V 277 VAC (PE277 &/or SP20) 347V 347 VAC (344V &/or SP20) | 27K 2700K 3K 3000K 35K 3500K 4K 4000K 5K 5000K | CRI85 85 CRI CRI90 90 CRI | | BKE Black BRE Bronze GRE Graphite Grey SLE Silver WHE White CCE Custom Color | |



| | | |
|-----------------|--------------------------|--|
| PMVR14SO | 11L 1100 lm (13W) | LD 0-10V Dimming, 1% (Standard) |
| | 16L 1600 lm (19W) | TPS Tamper Proof Screws |
| | 26L 2550 lm (29W) | F Fuse Line (1 Fuse with LED Driver) |
| | 38L 3800 lm (45W) | CSM Conduit Surface Mount |
| PMVR14SH | 51L 5100 lm (59W) | PE120 Photo Eye for 120V |
| | 12L 1150 lm (20W) | PE277 Photo Eye for 277V |
| | 17L 1700 lm (30W) | SP20 20kV Surge Protector (1 SP20 w/ LED Driver) ¹ |
| | 26L 2570 lm (45W) | BBU Battery Backup, Integral ² |
| PMVR14SX | 34L 3400 lm (59W) | |
| | 11L 1100 lm (14W) | |
| | 16L 1600 lm (20W) | |
| | 26L 2550 lm (32W) | |
| | 38L 3800 lm (48W) | |
| | 50L 5000 lm (59W) | |

Selection must match the selected product

¹ Specify Voltage — 120V, 277V, or 347V.

² Specify Voltage — 120 – 277 VAC Only.

VR14S Series – Wet Location, Remote Driver & Battery Backup

PRODUCT ORDERING CODE

| SERIES | VOLTAGE | CCT | CRI | LUMENS ³ | FINISH | OPTIONS |
|---|--|---|--|--|---|---|
| PMVR14SOR Wet Location PMVR14SHR Wet Location PMVR14SXR Wet Location | UNV 120 - 277 VAC 120V 120 VAC (SP20 &/or ELV) 277V 277 VAC (SP20) 347V 347 VAC | 27K 2700K 3K 3000K 35K 3500K 4K 4000K 5K 5000K | CRI85 85 CRI CRI90 90 CRI | 11L 1100 lm (13W) 16L 1600 lm (19W) 26L 2550 lm (29W) 38L 3800 lm (45W) 51L 5100 lm (59W) 12L 1150 lm (20W) 17L 1700 lm (30W) 26L 2570 lm (45W) 34L 3400 lm (59W) 11L 1100 lm (14W) 16L 1600 lm (20W) 26L 2550 lm (32W) 38L 3800 lm (48W) 50L 5000 lm (59W) | BKE Black BRE Bronze GRE Graphite Grey SLE Silver WHE White CCE Custom Color | LD 0-10V Dimming, 1% (Standard) ELV ELV Dimming (120V Only) TPS Tamper Proof Screws F Fuse Line (1 Fuse with LED Driver, 2 Fuses with BBUR & BBUX Options) CSM Conduit Surface Mount 20kV Surge Protector (1 SP20 w/ LED Driver, 2 SP20 w/ BBUR & BBUX Options) ¹ SP20 Battery Backup & LED Driver Remote (Indoor), 40W, IP20, IK08, NEMA 1, 0° to 48 °C (32° to 118 °F), 30 FT Maximum Distance with 12AWG (w/UNV Option Only), 500 Lumens Nominal BBUR Battery Backup & LED Driver Remote (Outdoor), IP67, IK10, NEMA 4X, -20° to 55°C (-4° to 131°F), 30 FT Maximum Distance with 12AWG (w/UNV Option Only), 600 Lumens Nominal |



Selection must match the selected product

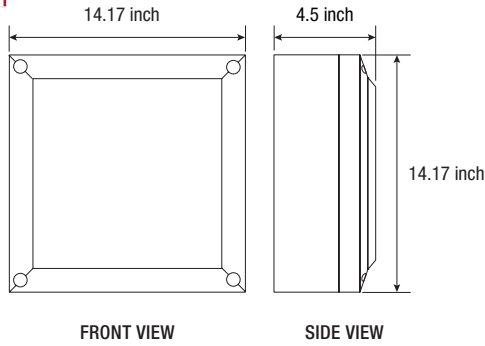
¹ Specify Voltage — 120V or 277V.

VR14S Series

PRODUCT DIMENSIONS - STANDARD PRODUCTS

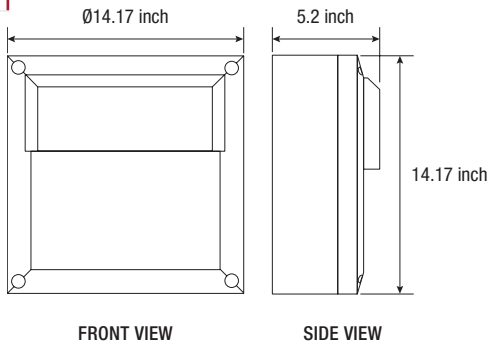
VR10SO

| | |
|--------------|--------|
| width | 14.17" |
| depth | 4.5" D |



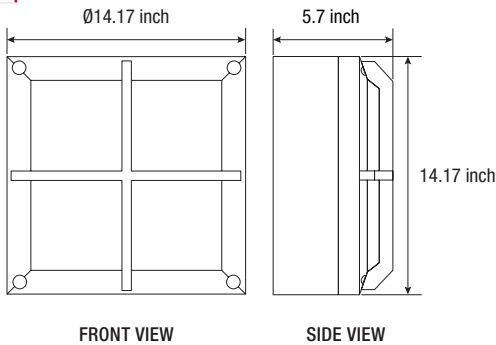
VR10SH

| | |
|--------------|--------|
| width | 14.17" |
| depth | 5.2" D |



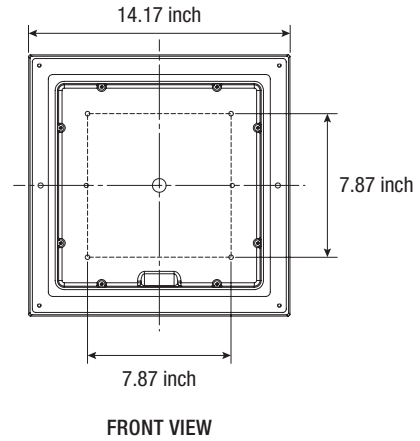
VR10SX

| | |
|--------------|--------|
| width | 14.17" |
| depth | 5.7" D |

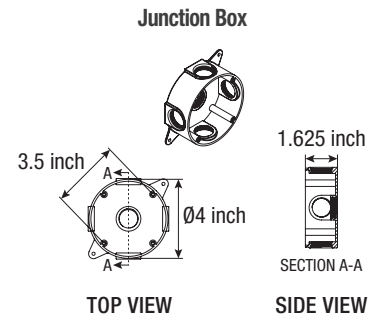
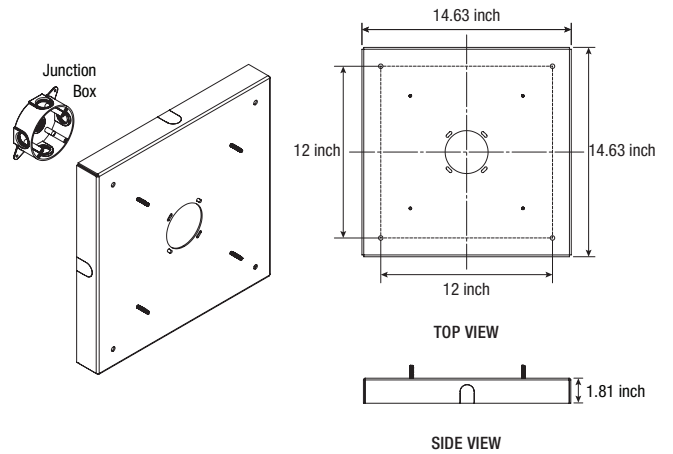


MOUNTING - j-box sold by others

surface mounting width 14.17" W



CONDUIT SURFACE MOUNT (CSM)



VR14S Series

LUMENS

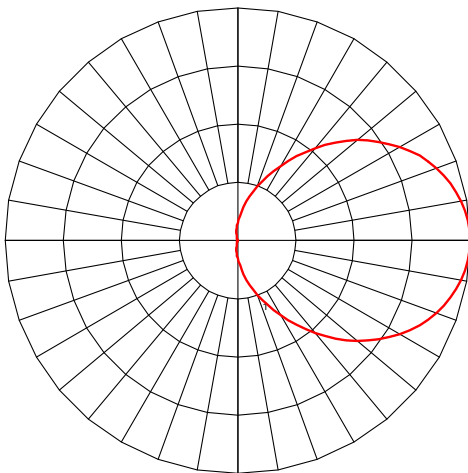
| Model | Watts | LM79 Test Result @ Max Lumens |
|----------|-------|----------------------------------|
| | | 4K (4000 Kelvin, CRI 80) Nominal |
| PMVR14SO | 59W | 5100 lm |
| PMVR14SH | 59W | 2550 lm |
| PMVR14SX | 59W | 5100 lm |

| CCT Multiplier | | |
|----------------|-------|------------|
| CRI | CCT | Multiplier |
| 80 CRI | 2700K | 0.89 |
| 80 CRI | 3000K | 0.96 |
| 80 CRI | 3500K | 0.96 |
| 80 CRI | 4000K | 1.00 |
| 80 CRI | 5000K | 1.00 |
| 90 CRI | 2700K | 0.70 |
| 90 CRI | 3000K | 0.70 |
| 90 CRI | 3500K | 0.78 |
| 90 CRI | 4000K | 0.78 |
| 90 CRI | 5000K | 0.78 |

| 0-10V Approved Dimmer List | |
|----------------------------|--------------------------|
| Manufacturer | Manufacturer Part Number |
| Lutron | Diva DVST-XX |
| | Diva DVST-453PH-WH1 |
| Leviton | Illumatech 010-IP710-DLZ |

PHOTOMETRICS

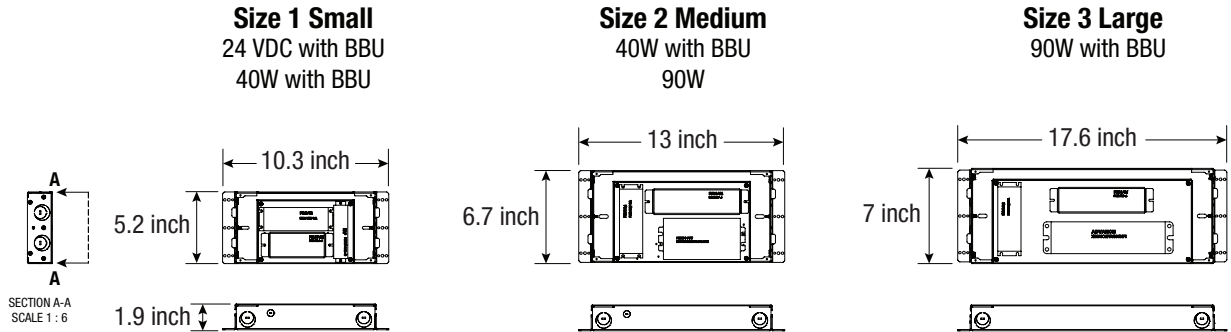
90°



VR14S Series

BATTERY BACKUP

BBUR — Battery Backup & LED Driver Remote (Indoor), IP20, IK08, NEMA 1, 0 to 48 °C (32 to 118 °F), 30 feet Maximum Distance with 12 AWG (with UNV Option Only)



BBUX — Battery Backup & LED Driver Remote (Outdoor), IP67, IK10, NEMA 4X, -20 to 55 °C (-4 to 131 °F), 30 feet Maximum Distance with 12AWG (with UNV Option Only)

