

VR14R Series

Vandal Resistant

14" Round, Surface Mount



APPLICATIONS:

- Garage & Canopy
- Industrial & Commercial
- Transit & Municipal
- Dorm Rooms
- Behavioral Health Facilities
- Public Schools
- Multi-family Housing

FEATURES:

- Long service life
- Vandal resistant construction and materials
- IK10 Impact rating
- 3.0G Vibration Test rating
- IP66 Ingress protection
- 0-10V, 1% Dimming
- Photo-eye and 20kV Surge Protection Options
- Remote Driver and Battery Back-up Options
- Lifetime Vandal Resistance Warranty
- 10-Year limited warranty

SPECIFICATIONS

HOUSING & LENS TRIM:

Marine grade die cast aluminum housing and lens trim. Six stage cleaning and saline pre-treatment. Super TGIC polyester powder coat finish, 18µm Minutes, 5000 hours salt spray test (ASTM B117) compliant with Florida / AAMA 2604 specification.

DIFFUSER:

One-piece white, high impact, UV stabilized polycarbonate, 0.125" NOM. Secured by lens ring using (4) stainless steel fasteners, or optional vandal proof stainless steel fasteners.

REFLECTOR:

Fabricated 5005 corrosion resistant aluminum. Six stage cleaning and saline pre-treatment. Polyester powder coat high reflectance white finish, 18µm Minutes, 5000 hours salt spray test (ASTM B117) compliant with Florida / AAMA 2604 specification.

GASKETS:

Thick urethane foam gasket for wall/ceiling mount. Lens sealed with an injection molded silicone seamless gasket housing seal.

TESTING AND RATINGS:

cETLus Listed, CE IEC 60598-1, IEC 60598-2-1

Wet location listed for wall or ceiling mount

IP66 (IEC 60598-1/60529) Ingress protection

3.0G (ANSI C136.31) Vibration resistance rated

IK10 (IEC6226) Impact resistance rated

IESNA LM79 Photometric testing by NVLAP accredited test lab

IESNA LM80 LED testing by NVLAP accredited test lab

IESNA TM21 Luminaire lumen depreciation projection to >70,000 hours

ELECTRICAL:

High efficiency, HPF (>94%@120V) Class Two LED driver Samsung LED, 85 or 93 CRI, 2 SDCM fixture to fixture color consistency. CEC Title 24 JA8 compliant (Only 93CRI). Standard dimming 0-10V (1%). Consult factory for optional drivers.

MOUNTING:

Mounts directly to wall and ceiling surface over standard junction boxes through (4) open holes in housing to provide most secure attachment for high abuse environments (screws appropriate to the mounting surface condition and substrate by others).

LIFETIME VANDAL RESISTANCE WARRANTY:

Paramount will replace or repair any fixture damaged due to vandalism for the lifetime of the fixture installation.

WARRANTY:

10-Year Limited material and workmanship warranty.

VR14RO



VR14RH



VR14RX



VR14RZ



TG-TD-020326

Due to continuous development and improvements, specifications are subject to change without notice.

VR14R Series – Wet Location, Integral Driver

PRODUCT ORDERING CODE

SERIES	VOLTAGE	CCT	CRI	LUMENS ³	FINISH	OPTIONS
PMVR14RO Wet Location	UNV 120 - 277 VAC	27K 2700K 3K 3000K 35K 3500K 4K 4000K 5K 5000K	CRI85 85 CRI		BKE Black BRE Bronze GRE Graphite Grey SLE Silver WHE White CCE Custom Color	
PMVR14RH Wet Location	120V 120 VAC (PE120 &/or SP20)		CRI90 90 CRI			
PMVR14RX Wet Location	277V 277 VAC (PE277 &/or SP20)					
PMVR14RZ Wet Location	347V 347 VAC (347V &/or SP20)					



PMVR14RO	12L 1215 lm (11W)	LD 0-10V Dimming, 1% (Standard)
	15L 1512 lm (13W)	TPS Tamper Proof Screws
	26L 2631 lm (23W)	F Fuse Line (1 Fuse with LED Driver)
	38L 3812 lm (33W)	CSM Conduit Surface Mount
PMVR14RH	50L 5043 lm (44W)	PE120 Photo Eye for 120V
	8L 771 lm (12W)	PE277 Photo Eye for 277V
	14L 1437 lm (23W)	SP20 20kV Surge Protector (1 SP20 w/ LED Driver) ¹
	21L 2141 lm (34W)	BBU Battery Backup, Integral ²
PMVR14RX	27L 2693 lm (43W)	
	12L 1191 lm (10W)	
	15L 1482 lm (13W)	
	26L 2578 lm (23W)	
PMVR14RZ	38L 3846 lm (34W)	
	50L 4942 lm (43W)	
	8L 756 lm (12W)	
	14L 1408 lm (22W)	
	21L 2098 lm (33W)	
	27L 2700 lm (43W)	

Selection must match the selected product

¹ Specify Voltage — 120V, 277V, or 347V.

² Specify Voltage — 120 – 277 VAC Only.

VR14R Series — Wet Location, Remote Driver & Battery Backup

PRODUCT ORDERING CODE

SERIES	VOLTAGE	CCT	CRI	LUMENS ³	FINISH	OPTIONS
PMVR14ROR Wet Location PMVR14RHR Wet Location PMVR14R XR Wet Location PMVR14RZR Wet Location	UNV 120 - 277 VAC 120V 120 VAC (SP20 &/or ELV) 277V 277 VAC (SP20)	27K 2700K 3K 3000K 35K 3500K 4K 4000K 5K 5000K	CRI85 85 CRI CRI90 90 CRI		BKE Black BRE Bronze GRE Graphite Grey SLE Silver WHE White CCE Custom Color	



	12L 1215 lm (11W) 15L 1512 lm (13W) 26L 2631 lm (23W) 38L 3812 lm (33W) 50L 5043 lm (44W)	LD 0-10V Dimming, 1% (Standard) ELV ELV Dimming (120V Only) TPS Tamper Proof Screws F Fuse Line (1 Fuse with LED Driver, 2 Fuses with BBUR & BBUX Options)
PMVR14RO	8L 771 lm (12W) 14L 1437 lm (23W) 21L 2141 lm (34W) 27L 2693 lm (43W)	CSM Conduit Surface Mount 20kV Surge Protector (1 SP20 w/ LED Driver, 2 SP20 w/ BBUR & BBUX Options) ¹
PMVR14RH	12L 1191 lm (10W) 15L 1482 lm (13W) 26L 2578 lm (23W) 38L 3846 lm (34W) 50L 4942 lm (43W)	BBUR Battery Backup & LED Driver Remote (Indoor), 40W, IP20, IK08, NEMA 1, 0° to 48 °C (32° to 118 °F), 30 FT Maximum Distance with 12AWG (w/UNV Option Only), 500 Lumens Nominal
PMVR14RX	8L 756 lm (12W) 14L 1408 lm (22W) 21L 2098 lm (33W) 27L 2700 lm (43W)	BBUX Battery Backup & LED Driver Remote (Outdoor), IP67, IK10, NEMA 4X, -20° to 55°C (-4° to 131°F), 30 FT Maximum Distance with 12AWG (w/UNV Option Only), 600 Lumens Nominal
PMVR14RZ		

Selection must match the selected product

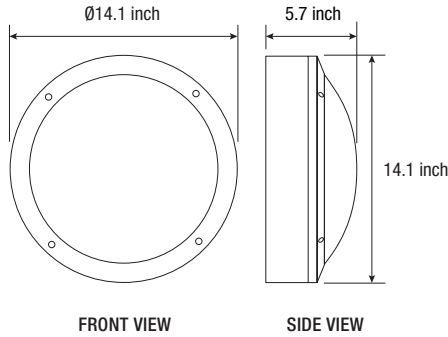
¹ Specify Voltage — 120V or 277V.

VR14R Series

PRODUCT DIMENSIONS - STANDARD PRODUCTS

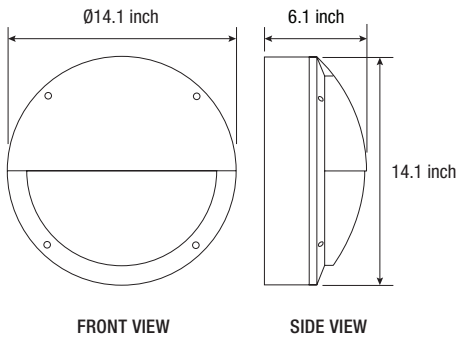
VR14RO

width	14.1"
depth	5.7" D



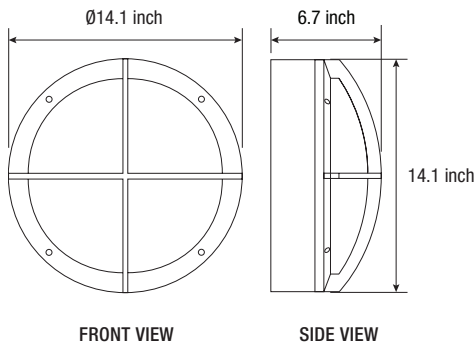
VR14RH

width	14.1"
depth	6.1" D



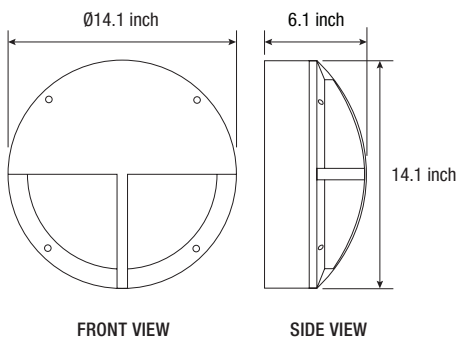
VR14RX

width	14.1"
depth	6.7" D



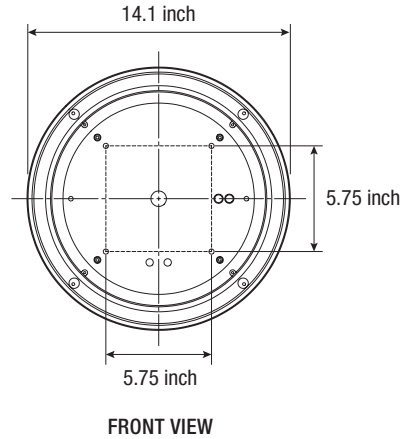
VR14RZ

width	14.1"
depth	6.1" D

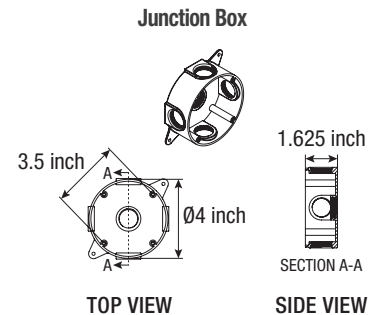
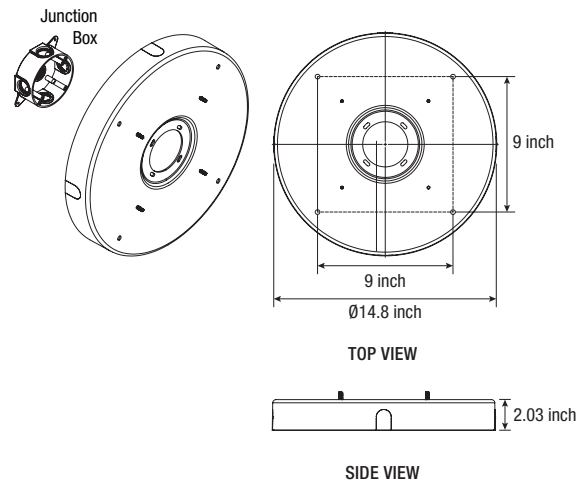


MOUNTING - j-box sold by others

surface mounting width 14.17" W



CONDUIT SURFACE MOUNT (CSM)



VR14R Series

LUMENS

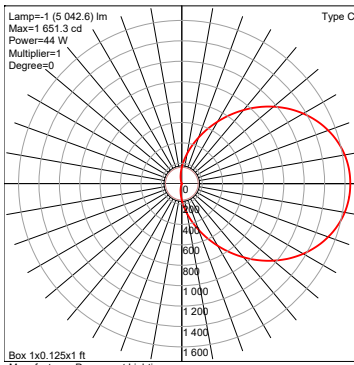
Model	Watts	LM79 Test Result @ Max Lumens
		4K (4000 Kelvin, CRI 80) Nominal
PMVR14RO-1	44W	5043 lm
PMVR14RO-2	33W	3812 lm
PMVR14RO-3	23W	2631 lm
PMVR14RO-4	13W	1512 lm
PMVR14RO-5	11W	1215 lm
PMVR14RH-1	43W	2693 lm
PMVR14RH-2	34W	2141 lm
PMVR14RH-3	23W	1437 lm
PMVR14RH-4	12W	771 lm
PMVR14RX-1	43W	4942 lm
PMVR14RX-2	34W	3846 lm
PMVR14RX-3	23W	2578 lm
PMVR14RX-4	13W	1482 lm
PMVR14RX-5	10W	1191 lm
PMVR14RZ-1	43W	2700 lm
PMVR14RZ-2	33W	2098 lm
PMVR14RZ-3	22W	1408 lm
PMVR14RZ-4	12W	756 lm

CCT Multiplier		
CRI	CCT	Multiplier
80 CRI	2700K	0.89
80 CRI	3000K	0.96
80 CRI	3500K	0.96
80 CRI	4000K	1.00
80 CRI	5000K	1.00
90 CRI	2700K	0.70
90 CRI	3000K	0.70
90 CRI	3500K	0.78
90 CRI	4000K	0.78
90 CRI	5000K	0.78

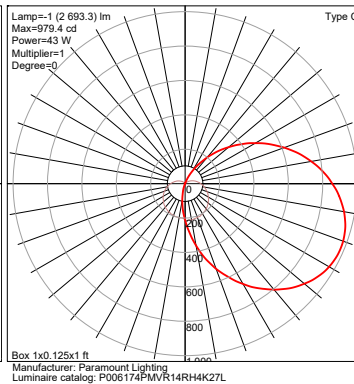
0-10V Approved Dimmer List	
Manufacturer	Manufacturer Part Number
Lutron	Diva DVST-XX
	Diva DVST-453PH-WH1
Leviton	Illumatech 010-IP710-DLZ

PHOTOMETRICS

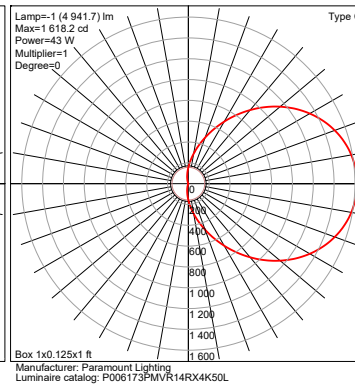
PMVR14RO



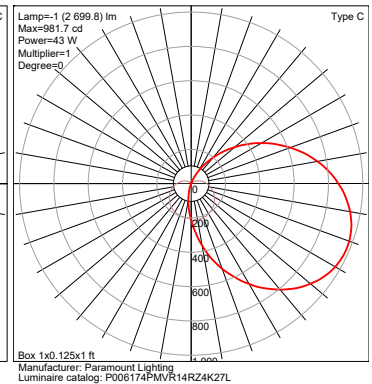
PMVR14RH



PMVR14RX



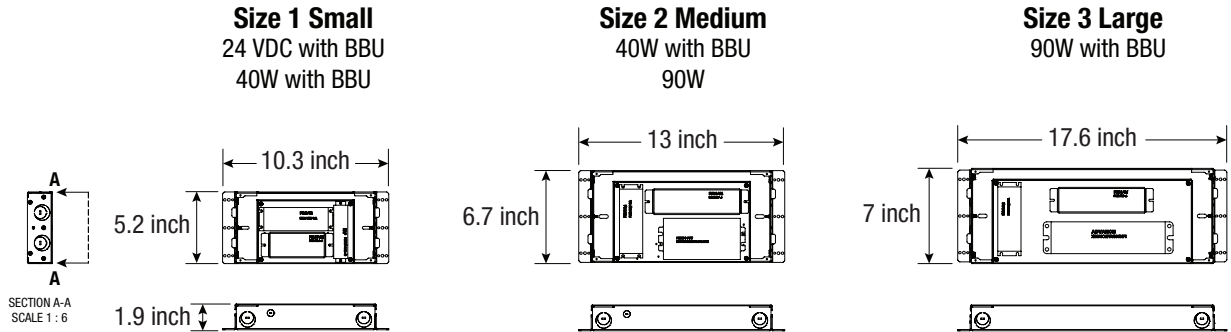
PMVR14RZ



VR14R Series

BATTERY BACKUP

BBUR — Battery Backup & LED Driver Remote (Indoor), IP20, IK08, NEMA 1, 0 to 48 °C (32 to 118 °F), 30 feet Maximum Distance with 12 AWG (with UNV Option Only)



BBUX — Battery Backup & LED Driver Remote (Outdoor), IP67, IK10, NEMA 4X, -20 to 55 °C (-4 to 131 °F), 30 feet Maximum Distance with 12AWG (with UNV Option Only)

