

VR10S Series

Vandal Resistant

10" Square, Surface Mount



APPLICATIONS:

- Garage & Canopy
- Industrial & Commercial
- Transit & Municipal
- Dorm Rooms
- Behavioral Health Facilities
- Public Schools
- Multi-family Housing

FEATURES:

- Long service life
- Vandal resistant construction and materials
- IK10 Impact rating
- 3.0G Vibration Test rating
- IP66 Ingress protection
- 0-10V, 1% Dimming
- Photo-eye and 20kV Surge Protection Options
- Remote Driver and Battery Back-up Options
- Lifetime Vandal Resistance Warranty
- 10-Year limited warranty

SPECIFICATIONS

HOUSING & LENS TRIM:

Marine grade die cast aluminum housing and lens trim. Six stage cleaning and saline pre-treatment. Super TGIC polyester powder coat finish, 18µm Minutes, 5000 hours salt spray test (ASTM B117) compliant with Florida / AAMA 2604 specification.

DIFFUSER:

One-piece white, high impact, UV stabilized polycarbonate, 0.125" NOM. Secured by lens ring using (4) stainless steel fasteners, or optional vandal proof stainless steel fasteners.

REFLECTOR:

Fabricated 5005 corrosion resistant aluminum. Six stage cleaning and saline pre-treatment. Polyester powder coat high reflectance white finish, 18µm Minutes, 5000 hours salt spray test (ASTM B117) compliant with Florida / AAMA 2604 specification.

GASKETS:

Thick urethane foam gasket for wall/ceiling mount. Lens sealed with an injection molded silicone seamless gasket housing seal.

TESTING AND RATINGS:

cETLus Listed, CE IEC 60598-1, IEC 60598-2-1

Wet location listed for wall or ceiling mount

IP66 (IEC 60598-1/60529) Ingress protection

3.0G (ANSI C136.31) Vibration resistance rated

IK10 (IEC6226) Impact resistance rated

IESNA LM79 Photometric testing by NVLAP accredited test lab

IESNA LM80 LED testing by NVLAP accredited test lab

IESNA TM21 Luminaire lumen depreciation projection to >70,000 hours

ELECTRICAL:

High efficiency, HPF (>94%@120V) Class Two LED driver Samsung LED, 85 or 93 CRI, 2 SDCM fixture to fixture color consistency. CEC Title 24 JA8 compliant (Only 93CRI). Standard dimming 0-10V (1%).

MOUNTING:

Mounts directly to wall surface over standard junction boxes through (4) provided holes in housing to provide most secure attachment for high abuse environments (screws appropriate to the mounting surface condition and substrate by others).

LIFETIME VANDAL RESISTANCE WARRANTY:

Paramount will replace or repair any fixture damaged due to vandalism for the lifetime of the fixture installation.

WARRANTY:

10-Year Limited material and workmanship warranty.

VR10SO



VR10SH



VR10SX



VR10S Series – Wet Location, Integral Driver

PRODUCT ORDERING CODE

SERIES	VOLTAGE	CCT	CRI	LUMENS ³	FINISH	OPTIONS
PMVR10SO Wet Location	UNV 120 - 277 VAC		CRI85 85 CRI			
PMVR10SH Wet Location	120V 120 VAC (PE120 &/or SP20)		CRI90 90 CRI			
PMVR10SX Wet Location	277V 277 VAC (PE277 &/or SP20)					
	347V 347 VAC (347V &/or SP20)					
		27K 2700K				
		3K 3000K				
		35K 3500K				
		4K 4000K				
		5K 5000K				
					BKE Black	
					BRE Bronze	
					GRE Graphite Grey	
					SLE Silver	
					WHE White	
					CCE Custom Color	



7L 700 lm (10W)
12L 1188 lm (18W)
17L 1650 lm (21W)
24L 3645 lm (32W)
31L 3100 lm (41W)



7L 700 lm (14W)
11L 1050 lm (21W)
16L 1550 lm (31W)
21L 2050 lm (41W)



7L 700 lm (10W)
11L 1050 lm (14W)
17L 1650 lm (21W)
24L 2375 lm (31W)
30L 3000 lm (41W)

LD 0-10V Dimming, 1% (Standard)
TPS Tamper Proof Screws
F Fuse Line (1 Fuse with LED Driver)
CSM Conduit Surface Mount
PE120 Photo Eye for 120V
PE277 Photo Eye for 277V
SP20 20kV Surge Protector (1 SP20 w/ LED Driver) ¹

Selection must match the selected product

¹ Specify Voltage — 120V, 277V, or 347V.

VR10S Series – Wet Location, Remote Driver & Battery Backup

PRODUCT ORDERING CODE

SERIES	VOLTAGE	CCT	CRI	LUMENS ³	FINISH	OPTIONS
PMVR10SOR Wet Location PMVR10SHR Wet Location PMVR10SXR Wet Location	UNV 120 - 277 VAC 120V 120 VAC (SP20 &/or ELV) 277V 277 VAC (SP20)	27K 2700K 3K 3000K 35K 3500K 4K 4000K 5K 5000K	CRI85 85 CRI CRI90 90 CRI	7L 700 lm (10W) 12L 1188 lm (18W) 17L 1650 lm (21W) 24L 3645 lm (32W) 31L 3100 lm (41W)	BKE Black BRE Bronze GRE Graphite Grey SLE Silver WHE White CCE Custom Color	LD 0-10V Dimming, 1% (Standard) ELV ELV Dimming (120V Only) TPS Tamper Proof Screws F Fuse Line (1 Fuse with LED Driver, 2 Fuses with BBUR & BBUX Options) CSM Conduit Surface Mount 20kV Surge Protector (1 SP20 w/ LED Driver, 2 SP20 w/ BBUR & BBUX Options) ¹ SP20 Battery Backup & LED Driver Remote (Indoor), 40W, IP20, IK08, NEMA 1, 0° to 48 °C (32° to 118 °F), 30 FT Maximum Distance with 12AWG (w/UNV Option Only), 500 Lumens Nominal BBUR Battery Backup & LED Driver Remote (Outdoor), IP67, IK10, NEMA 4X, -20° to 55°C (-4° to 131°F), 30 FT Maximum Distance with 12AWG (w/UNV Option Only), 600 Lumens Nominal
				PMVR10SO 7L 700 lm (14W) 11L 1050 lm (21W) 16L 1550 lm (31W) 21L 2050 lm (41W)		
				PMVR10SH 7L 700 lm (10W) 11L 1050 lm (14W) 17L 1650 lm (21W) 24L 2375 lm (31W) 30L 3000 lm (41W)		
				PMVR10SX		



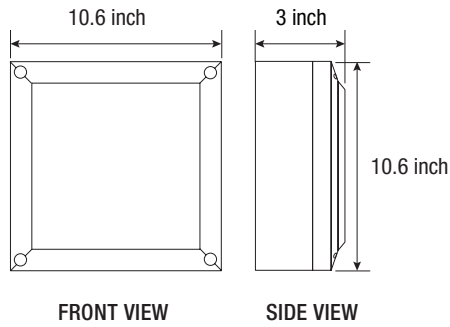
Selection must match the selected product

¹ Specify Voltage — 120V or 277V.

PRODUCT DIMENSIONS - STANDARD PRODUCTS

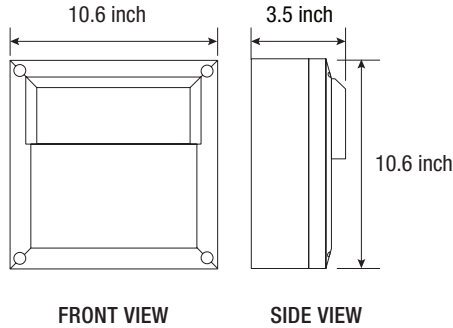
VR10SO

width	10.6"
depth	3" D



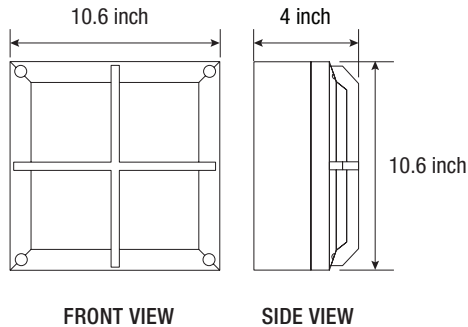
VR10SH

width	10.6"
depth	3.5" D



VR10SX

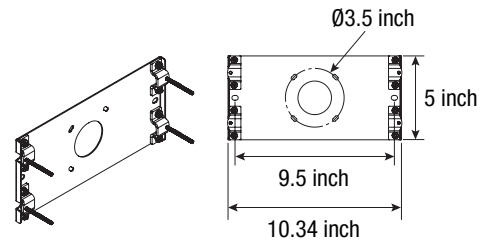
width	10.6"
depth	4" D



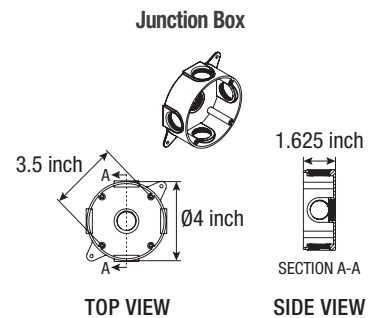
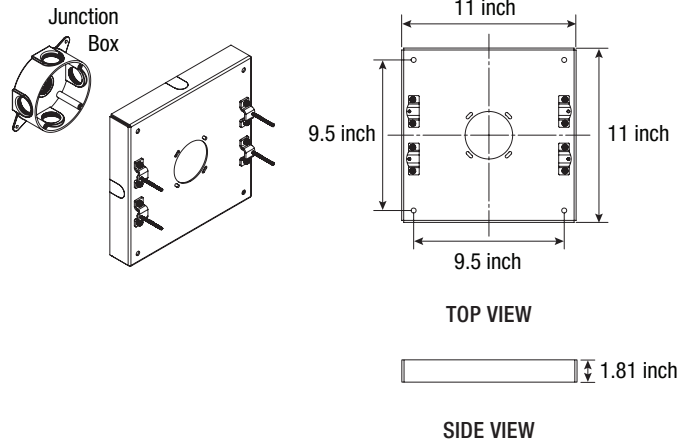
MOUNTING - j-box sold by others

mounting plate width 10.34" W

mounting plate mounts flush to surface, included with luminaire



CONDUIT SURFACE MOUNT (CSM)



VR10S Series

LUMENS

Model	Watts	LM79 Test Result @ Max Lumens
		4K (4000 Kelvin, CRI 80) Nominal
PMVR10SO	41W	3100 lm
PMVR10SH	41W	2050 lm
PMVR10SX	41W	3100 lm

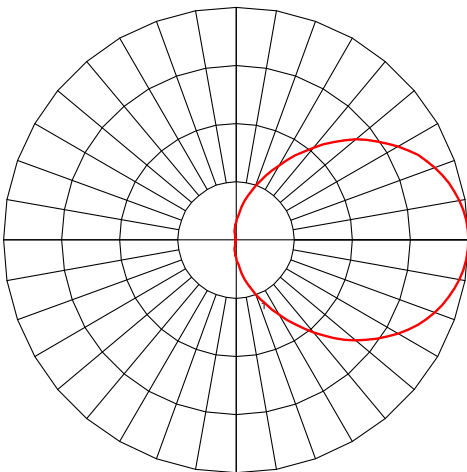
CCT Multiplier		
CRI	CCT	Multiplier
80 CRI	2700K	0.89
80 CRI	3000K	0.96
80 CRI	3500K	0.96
80 CRI	4000K	1.00
80 CRI	5000K	1.00
90 CRI	2700K	0.70
90 CRI	3000K	0.70
90 CRI	3500K	0.78
90 CRI	4000K	0.78
90 CRI	5000K	0.78

0-10V Approved Dimmer List	
Manufacturer	Manufacturer Part Number
Lutron	Diva DVST-XX
	Diva DVST-453PH-WH1
Leviton	Illumatech 010-IP710-DLZ

PHOTOMETRICS

IES INDOOR REPORT
 PHOTOMETRIC FILENAME : REPORT#1310-L FCW3065-120V-4K-ETL FIXTURE.IES

POLAR GRAPH

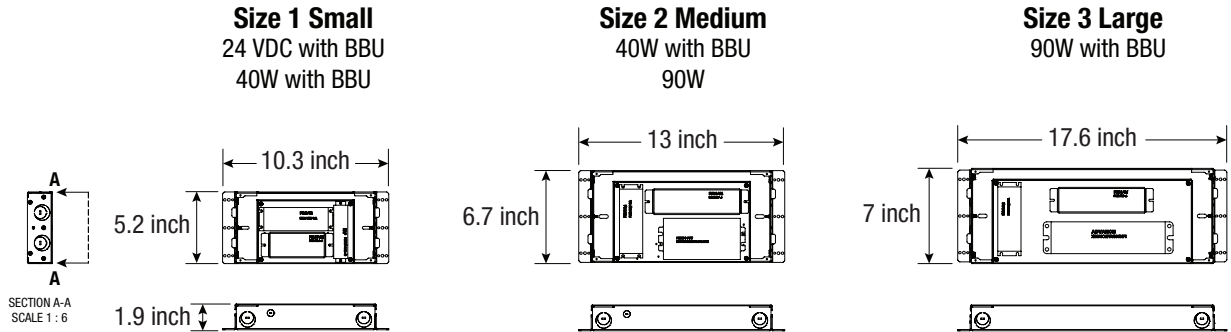


Maximum Candela = 493.92 Located At Horizontal Angle = 0, Vertical Angle = 90
 # 1 - Vertical Plane Through Horizontal Angles (0 - 180) (Through Max. Cd.)
 # 2 - Horizontal Cone Through Vertical Angle (90) (Through Max. Cd.)

VR10S Series

BATTERY BACKUP

BBUR — Battery Backup & LED Driver Remote (Indoor), IP20, IK08, NEMA 1, 0 to 48 °C (32 to 118 °F), 30 feet Maximum Distance with 12 AWG (with UNV Option Only)



BBUX — Battery Backup & LED Driver Remote (Outdoor), IP67, IK10, NEMA 4X, -20 to 55 °C (-4 to 131 °F), 30 feet Maximum Distance with 12AWG (with UNV Option Only)

