

VR10R Series

Vandal Resistant

10" Round, Surface Mount



APPLICATIONS:

- Garage & Canopy
- Industrial & Commercial
- Transit & Municipal
- Dorm Rooms
- Behavioral Health Facilities
- Public Schools
- Multi-family Housing

FEATURES:

- Long service life
- Vandal resistant construction and materials
- IK10 Impact rating
- 3.0G Vibration Test rating
- IP66 Ingress protection
- 0-10V, 1% Dimming
- 20kV Surge Protection Options
- Remote Driver and Battery Back-up Options
- Lifetime Vandal Resistance Warranty
- 10-Year limited warranty

SPECIFICATIONS

HOUSING & LENS TRIM:

Marine grade die cast aluminum housing and lens trim. Six stage cleaning and saline pre-treatment. Super TGIC polyester powder coat finish, 18µm Minutes, 5000 hours salt spray test (ASTM B117) compliant with Florida / AAMA 2604 specification.

DIFFUSER:

One-piece white, high impact, UV stabilized polycarbonate, 0.125" NOM. Secured by lens ring using (4) stainless steel fasteners, or optional vandal proof stainless steel fasteners.

REFLECTOR:

Fabricated 5005 corrosion resistant aluminum. Six stage cleaning and saline pre-treatment. Polyester powder coat high reflectance white finish, 18µm Minutes, 5000 hours salt spray test (ASTM B117) compliant with Florida / AAMA 2604 specification.

GASKETS:

Thick urethane foam gasket for wall/ceiling mount. Lens sealed with an injection molded silicone seamless gasket housing seal.

TESTING AND RATINGS:

cETLus Listed, CE IEC 60598-1, IEC 60598-2-1

Wet location listed for wall or ceiling mount

IP66 (IEC 60598-1/60529) Ingress protection

3G (ANSI C136.31) Vibration resistance rated

IK10 (IEC6226) Impact resistance rated

IESNA LM79 Photometric testing by NVLAP accredited test lab

IESNA LM80 LED testing by NVLAP accredited test lab

IESNA TM21 Luminaire lumen depreciation projection to >70,000 hours

ELECTRICAL:

High efficiency, HPF (>94%@120V) Class Two LED driver Samsung LED, 85 or 93 CRI, 2 SDCM fixture to fixture color consistency. CEC Title 24 JA8 compliant (Only 93CRI). Standard dimming 0-10V (1%).

MOUNTING:

Mounts directly to wall surface over standard junction boxes through (4) provided holes in housing to provide most secure attachment for high abuse environments (screws appropriate to the mounting surface condition and substrate by others).

LIFETIME VANDAL RESISTANCE WARRANTY:

Paramount will replace or repair any fixture damaged due to vandalism for the lifetime of the fixture installation.

WARRANTY:

10-Year Limited material and workmanship warranty.

VR10R0



VR10RH



VR10RX



VR10RZ



VR10R Series – Wet Location, Integral Driver

PRODUCT ORDERING CODE

SERIES	VOLTAGE	CCT	CRI	LUMENS ³	FINISH	OPTIONS
PMVR10RO Wet Location PMVR10RH Wet Location PMVR10RX Wet Location PMVR10RZ Wet Location	UNV 120 - 277 VAC 120V 120 VAC (SP20) 277V 277 VAC (SP20) 347V 347 VAC (SP20)	27K 2700K 3K 3000K 35K 3500K 4K 4000K 5K 5000K	CRI85 85 CRI CRI90 90 CRI		BKE Black BRE Bronze GRE Graphite Grey SLE Silver WHE White CCE Custom Color	



PMVR10RO	12L 1199 lm (10W)	LD 0-10V Dimming, 1% (Standard)
	19L 1922 lm (17W)	
	25L 2473 lm (21W)	
	36L 3645 lm (32W)	
PMVR10RH	8L 814 lm (13W)	TPS Tamper Proof Screws
	11L 1104 lm (18W)	
	16L 1582 lm (25W)	
PMVR10RX	21L 2143 lm (34W)	F Fuse Line (1 Fuse with LED Driver)
	12L 1175 lm (10W)	
	19L 1884 lm (16W)	
PMVR10RZ	25L 2452 lm (21W)	CSM Conduit Surface Mount
	36L 3573 lm (31W)	
	8L 798 lm (13W)	
	11L 1081 lm (17W)	
	16L 1550 lm (25W)	SP20 20kV Surge Protector (1 SP20 w/ LED Driver) ¹
	21L 2100 lm (34W)	

Selection must match the selected product

* Specify Voltage — 120V, 277V, or 347V.

VR10R Series — Wet Location, Remote Driver & Battery Backup

PRODUCT ORDERING CODE

SERIES	VOLTAGE	CCT	CRI	LUMENS ³	FINISH	OPTIONS
PMVR10ROR Wet Location PMVR10RHR Wet Location PMVR10RXR Wet Location PMVR10RZR Wet Location	UNV 120 - 277 VAC 120V 120 VAC (SP20 &/or ELV) 277V 277 VAC (SP20)	27K 2700K 3K 3000K 35K 3500K 4K 4000K 5K 5000K	CRI85 85 CRI CRI90 90 CRI		BKE Black BRE Bronze GRE Graphite Grey SLE Silver WHE White CCE Custom Color	



PMVR10RO	12L 1199 lm (10W)	LD 0-10V Dimming, 1% (Standard)	
	19L 1922 lm (17W)		ELV ELV Dimming (120V Only)
	25L 2473 lm (21W)		TPS Tamper Proof Screws
	36L 3645 lm (32W)		F Fuse Line (1 Fuse with LED Driver, 2 Fuses with BBUR & BBUX Options)
PMVR10RH	8L 814 lm (13W)	CSM Conduit Surface Mount 20kV Surge Protector (1 SP20 w/ LED Driver, 2 SP20 w/ BBUR & BBUX Options) ¹	
	11L 1104 lm (18W)		
	16L 1582 lm (25W)		
PMVR10RX	21L 2143 lm (34W)	BBUR Battery Backup & LED Driver Remote (Indoor), 40W, IP20, IK08, NEMA 1, 0° to 48 °C (32° to 118 °F), 30 FT Maximum Distance with 12AWG (w/UNV Option Only), 500 Lumens Nominal	
	12L 1175 lm (10W)		
	19L 1884 lm (16W)		
PMVR10RZ	25L 2452 lm (21W)	BBUX Battery Backup & LED Driver Remote (Outdoor), IP67, IK10, NEMA 4X, -20° to 55°C (-4° to 131°F), 30 FT Maximum Distance with 12AWG (w/UNV Option Only), 600 Lumens Nominal	
	36L 3573 lm (31W)		
	8L 798 lm (13W)		
	11L 1081 lm (17W)		
	16L 1550 lm (25W)		
	21L 2100 lm (34W)		

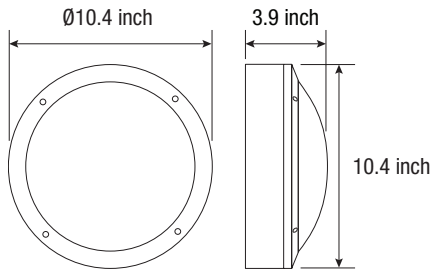
Selection must match the selected product

¹ Specify Voltage — 120V or 277V.

PRODUCT DIMENSIONS - STANDARD PRODUCTS

VR10RO

width	10.4" Ø
depth	3.9" D

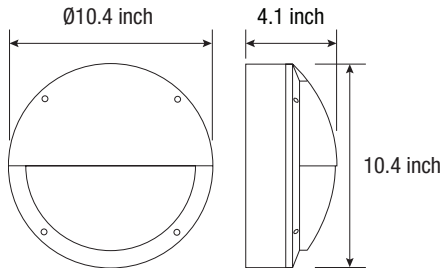


FRONT VIEW

SIDE VIEW

VR10RH

width	10.4" Ø
depth	4.1" D

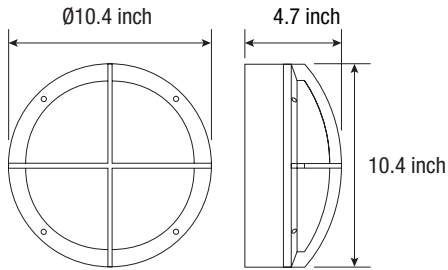


FRONT VIEW

SIDE VIEW

VR10RX

width	10.4" Ø
depth	4.7" D

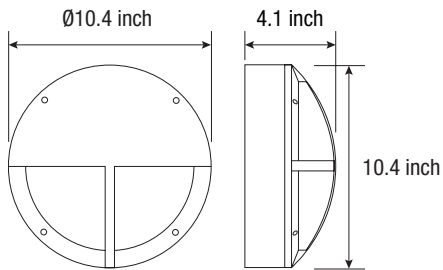


FRONT VIEW

SIDE VIEW

VR10RZ

width	10.4" Ø
depth	4.1" D



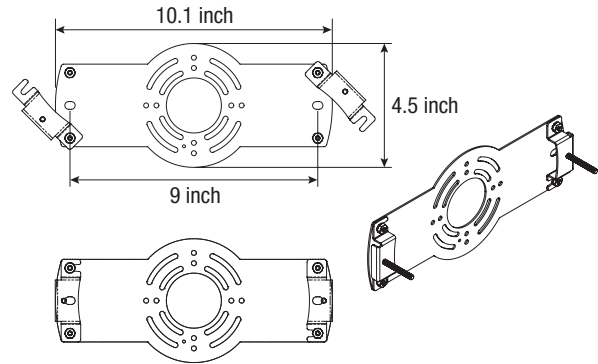
FRONT VIEW

SIDE VIEW

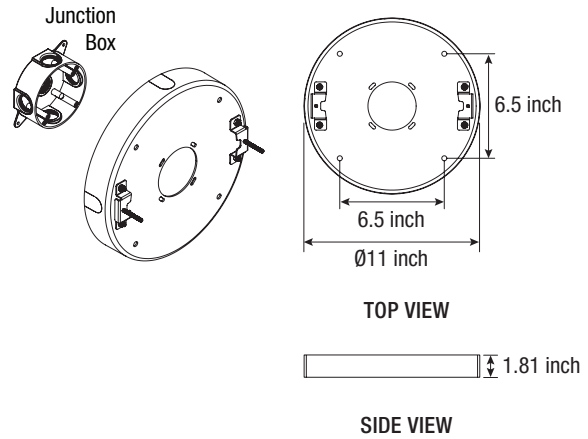
MOUNTING - j-box sold by others

mounting plate width 10.1" W

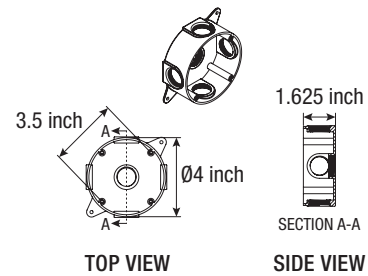
j-box mounting plate:
mounts flush to surface and is included with luminaire



CONDUIT SURFACE MOUNT (CSM)



Junction Box



VR10R Series

LUMENS

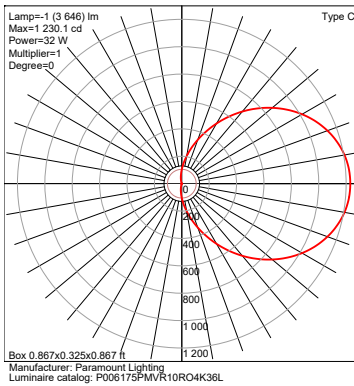
Model	Watts	LM79 Test Result @ Max Lumens
		4K (4000 Kelvin, CRI 80) Nominal
PMVR10RO-1	32W	3645 lm
PMVR10RO-2	21W	2473 lm
PMVR10RO-3	17W	1922 lm
PMVR10RO-4	10W	1199 lm
PMVR10RH-1	32W	2143 lm
PMVR10RH-2	25W	1582 lm
PMVR10RH-3	18W	1104 lm
PMVR10RH-4	13W	814 lm
PMVR10RX-1	31W	3573 lm
PMVR10RX-2	21W	2452 lm
PMVR10RX-3	16W	1884 lm
PMVR10RX-4	10W	1175 lm
PMVR10RZ-1	34W	2100 lm
PMVR10RZ-2	25W	1550 lm
PMVR10RZ-3	17W	1081 lm
PMVR10RZ-4	13W	798 lm

CCT Multiplier		
CRI	CCT	Multiplier
80 CRI	2700K	0.89
80 CRI	3000K	0.96
80 CRI	3500K	0.96
80 CRI	4000K	1.00
80 CRI	5000K	1.00
90 CRI	2700K	0.70
90 CRI	3000K	0.70
90 CRI	3500K	0.78
90 CRI	4000K	0.78
90 CRI	5000K	0.78

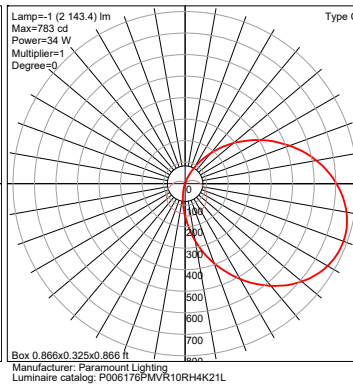
0-10V Approved Dimmer List	
Manufacturer	Manufacturer Part Number
Lutron	Diva DVST-XX
	Diva DVST-453PH-WH1
Leviton	Illumatech 010-IP710-DLZ

PHOTOMETRICS

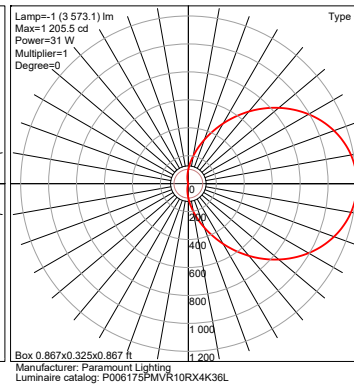
PMVR10RO



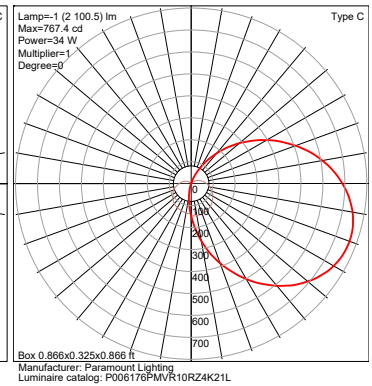
PMVR10RH



PMVR10RX



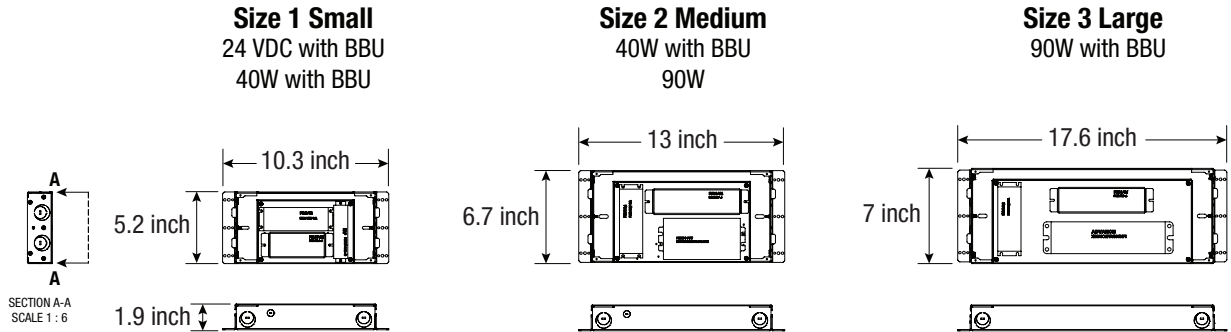
PMVR10RZ



VR10R Series

BATTERY BACKUP

BBUR — Battery Backup & LED Driver Remote (Indoor), IP20, IK08, NEMA 1, 0 to 48 °C (32 to 118 °F), 30 feet Maximum Distance with 12 AWG (with UNV Option Only)



BBUX — Battery Backup & LED Driver Remote (Outdoor), IP67, IK10, NEMA 4X, -20 to 55 °C (-4 to 131 °F), 30 feet Maximum Distance with 12AWG (with UNV Option Only)

