

## LHB, High Bay Series — INSTALLATION INSTRUCTIONS

**CAUTION:** BEFORE CONNECTING THE LUMINAIRE TO A POWER SUPPLY, MAKE SURE THE POWER IS SWITCHED OFF.



## Suspended Chain Installation

### DETAILED ILLUSTRATION

#### GENERAL:

1. Before starting the installation, make sure all electricity has been turned off and electrical breaker has been locked out and tagged out.
2. To ensure the success of the installation, be sure to read these instructions and review the diagrams thoroughly before beginning.
3. All electrical connections must be in accordance with local codes, ordinances, or the National Electrical Code.
4. The thermally insulating material is not allowed to cover the luminaire.
5. All luminaires to be installed by a qualified electrician.

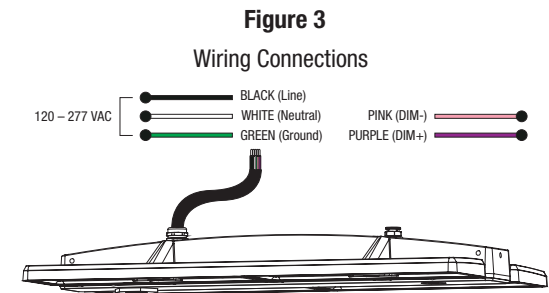
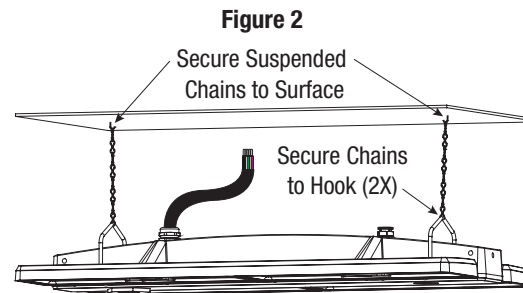
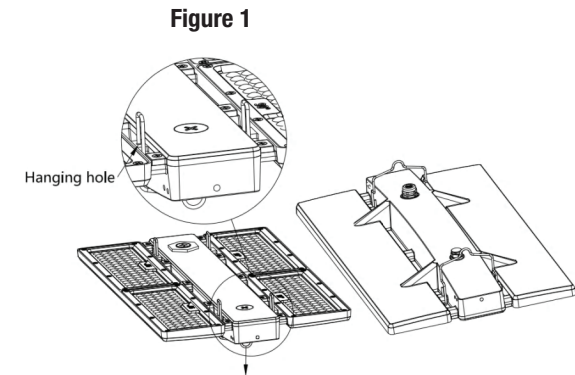
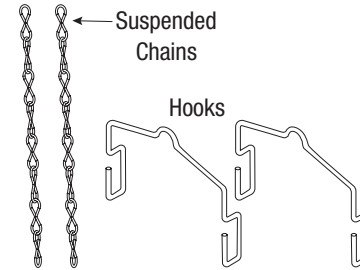
**NOTE:** The important safeguards and instructions appearing in this manual are not meant to cover all possible conditions and situations that may occur.

#### INSTALLATION:

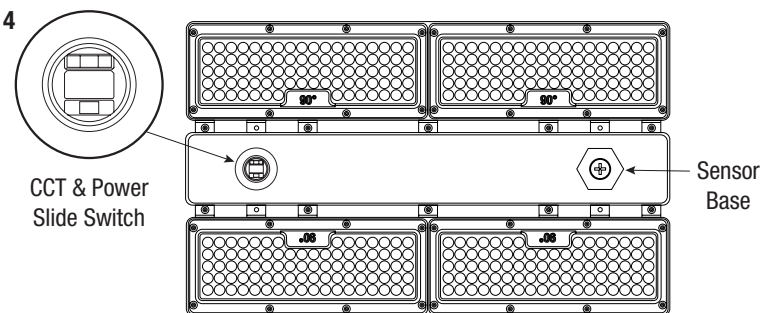
1. Attach V-Shaped hangers to the luminaire by placing the hooks into the hole slots on either side of the luminaire (**Figure 1**).
2. Securely attach the Suspended Chains to the ceiling then attach chains into the luminaire hooks (**Figure 2**).

**NOTE:** Make sure you securely anchor suspended chains to the surface before installing the luminaire.

3. Following the wiring diagram, wire the luminaire (**Figure 3**).
4. Use the Slide Switch to change the CCT and Power (**Figure 4**).



**Figure 4**



# LHB, High Bay Series — INSTALLATION INSTRUCTIONS

**CAUTION:** BEFORE CONNECTING THE LUMINAIRE TO A POWER SUPPLY, MAKE SURE THE POWER IS SWITCHED OFF.



## Surface Mount Bracket Installation

### DETAILED ILLUSTRATION

#### GENERAL:

1. Before starting the installation, make sure all electricity has been turned off and electrical breaker has been locked out and tagged out.
2. To ensure the success of the installation, be sure to read these instructions and review the diagrams thoroughly before beginning.
3. All electrical connections must be in accordance with local codes, ordinances, or the National Electrical Code.
4. The thermally insulating material is not allowed to cover the luminaire.
5. All luminaires to be installed by a qualified electrician.

**NOTE:** The important safeguards and instructions appearing in this manual are not meant to cover all possible conditions and situations that may occur.

#### INSTALLATION:

1. Attach surface mount brackets to the luminaire (**Figure 1**).
2. Pre-drill holes for the mounting bolts and securely attach the luminaire to the surface (**Figure 2**).

**NOTE:** Make sure you securely anchor mounting bolts to the surface before installing the luminaire.

3. Following the wiring diagram, wire the luminaire (**Figure 3**).
4. Use the Slide Switch to change the CCT and Power (**Figure 4**).

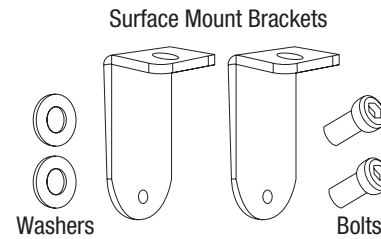
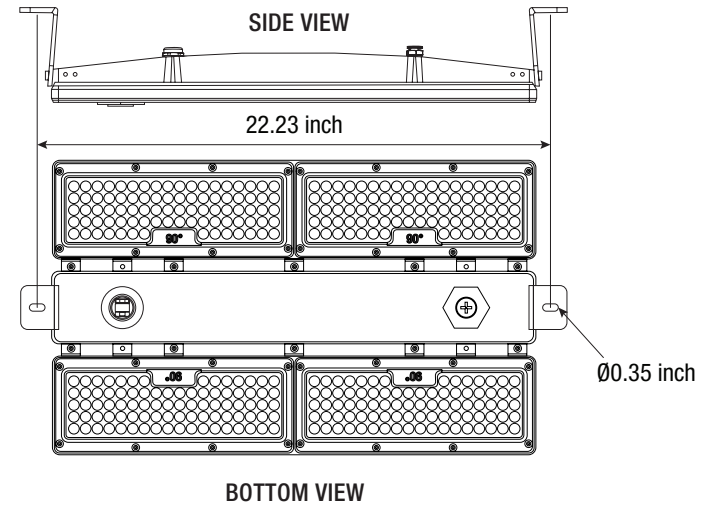


Figure 1



BOTTOM VIEW

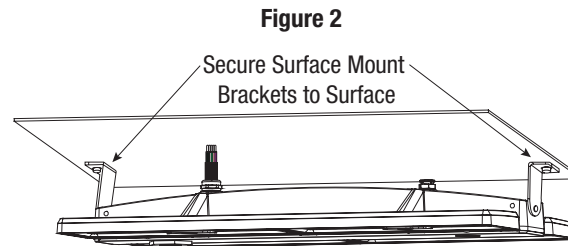


Figure 2

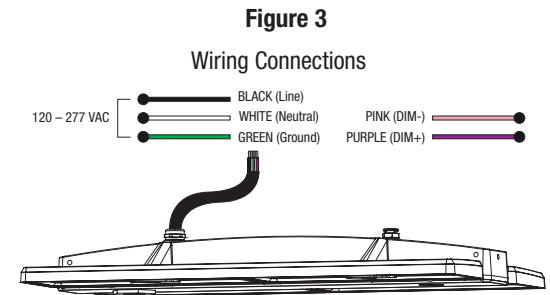


Figure 3

#### Wiring Connections

Figure 4

