

LHB Series

High Bay Series

Linear High Bay



APPLICATIONS:

- NSF Certified Food Processing (Splash Zone, Food Zone)
- Industrial & Commercial
- Sports & Recreation
- Warehouse

FEATURES:

- Up to 140 lm/W
- Optional motion/daylight sensor
- NSF Food Zone and Splash Zone
- Smooth surface for easy cleaning
- IP69K Ingress Protection
- IK10 Impact Rating
- 3G Vibration Test Rating
- 5-Year Limited Warranty (10-Year Optional)

SPECIFICATIONS

HOUSING:

Crafted from marine-grade, low-copper, high-pressure die-cast aluminum, anodized with precise machining ensures a flawless luminaire with exceptional resistance to corrosion and durable even in harsh environments. Designed and tested to withstand substantial impact and vibration without compromising function or finish.

FINISH:

The die cast housing is cleaned, anodized, and then goes through a 7-stage wash cycle. The part is degassed before being coated with a UV-resistant, super durable poly for a 5,000-hour salt spray rating.

LENS:

UV stabilized, Clear polycarbonate

OUTPUT:

This luminaire is designed for standard downlighting with a 90° viewing angle. The luminaire has an optional occupancy sensor or daylight harvesting sensor to further enhance energy efficiency and user convenience.

TESTING & RATINGS:

ETL Listed

NSF Certified

IP69K, suitable for cleaning high-pressure water jets

IK10, 3G vibration rating

Operating Temperature: -40°C to 50°C (-40°F to 122°F)

ELECTRICAL:

Standard Voltage universal 120 – 277 VAC

Power consumption 100W/150W/200W selectable

0-10V dimming standard

Optional motion/daylight sensor

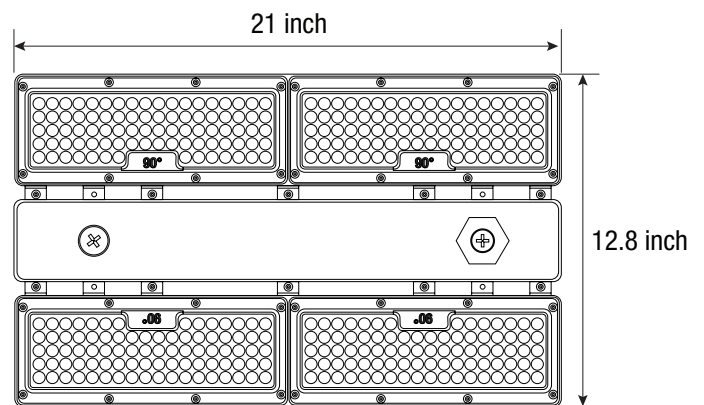
CCT options 3500K, 4000K, 5000K selectable

MOUNTING OPTIONS:

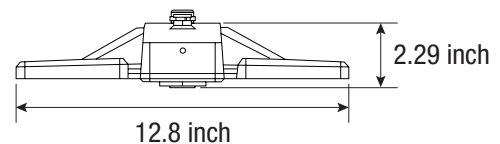
Suspended Chain or Surface Mount

WARRANTY:

5-Year Limited, Optional 10-Year Limited (consult factory)



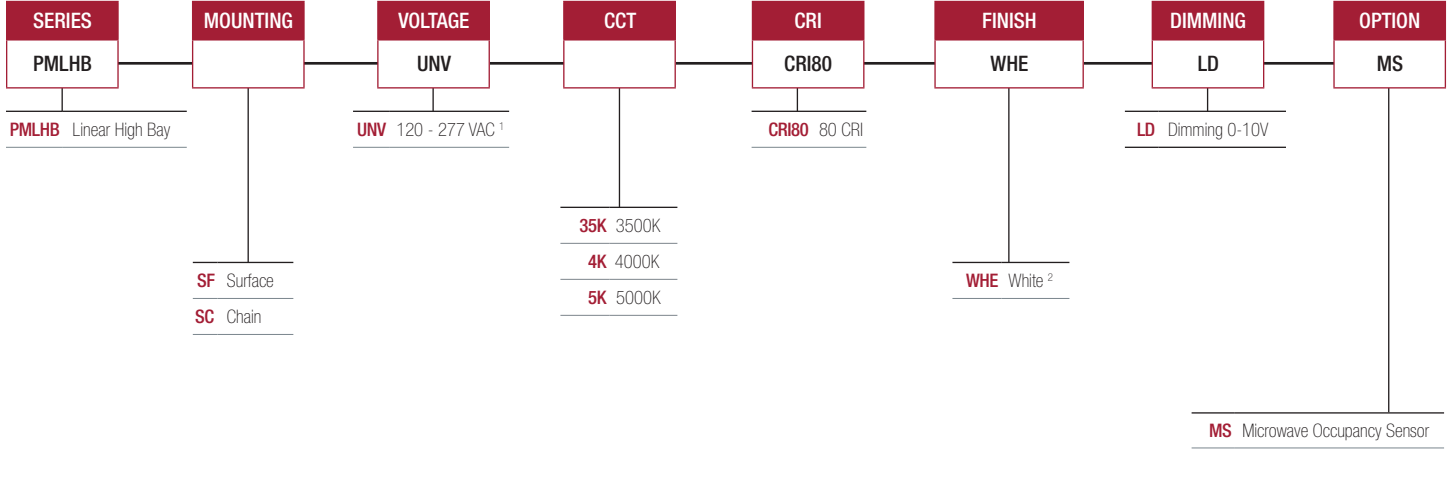
BOTTOM VIEW



SIDE VIEW

LHB Series

PRODUCT ORDERING CODE



Footnotes:
¹ Consult factory for other voltage options.
² Consult factory for custom colors.

LHB Series

LUMENS

Model	Watts	LM79 Test Result @ Max Lumens
		5K (5000 Kelvin, CRI 70)
PMLHB 12L	100W	14,000 lm
PMLHB 18L	150W	21,000 lm
PMLHB 24L	200W	28,000 lm

CCT Multiplier (CRI70)	
CCT	Multiplier
3500K	0.935
4000K	0.956
5000K	1

PHOTOMETRICS

