

GCL13RO Series

Garage & Canopy Lite

13" Round, Low-Profile, Garage & Canopy Luminaire



OVERVIEW:

This garage luminaire stands out for its exceptional durability, innovative features, and focus on user safety. Designed to meet the demands of commercial settings as well as harsh and abusive environments including garages — it combines modern aesthetics with practical functionality making installation straightforward and efficient for a wide range of applications.

APPLICATIONS:

- Garage & Canopy

FEATURES:

- Uplight option for visual appeal
- CCT and Wattage selectable
- 3.78" Low-Profile
- 0-10V, 1% Dimming
- IK10 Impact Rating
- Optional motion sensor
- 3G Vibration Test Rating
- 5-Year Limited Warranty (10-Year Optional)
- IP65 Ingress Protection



SPECIFICATIONS

HOUSING:

Crafted from marine-grade, low-copper, high-pressure die-cast aluminum, anodized with precise machining ensures a flawless luminaire with exceptional resistance to corrosion and durable even in harsh environments. Designed and tested to withstand substantial impact and vibration without compromising function or finish.

FINISH:

The die cast housing is cleaned, anodized, and then goes through a 7-stage wash cycle. The part is degassed before being coated with a UV-resistant, super durable poly for a 5,000-hour salt spray rating. An optional e-coat is available for extended salt spray requirements; consult the factory.

DIFFUSER:

This single-piece, vandal-resistant diffuser features an IK10 rating for high impact and lasting durability with a lifetime warranty. Its UV-stabilized polycarbonate lens is designed to withstand harsh and demanding environments. The lens is sealed with an injected silicone gasket and secured by 316 stainless steel fasteners, ensuring long-lasting performance.

OUTPUT:

This luminaire is designed for standard downlighting or both up and downlighting, selectable via an integral switch. When the CCT of the downlight is changed, the uplight will automatically match the same setting. By default, the uplight provides 10% of the total light output compared to the downlight, and both can be dimmed simultaneously. The luminaire also supports seamless integration with advanced control systems, allowing for compatibility with occupancy sensors and daylight harvesting solutions to further enhance energy efficiency and user convenience.

TESTING & RATINGS:

cETLus Listed

Wet location listed for wall or ceiling mount

IP65 Ingress protection

3G (ANSI C136.31) Vibration resistance rated (for Ceiling Installation Only)

IK10 (IEC6226) Impact resistance rated

IESNA LM79 Photometric testing by NVLAP accredited test lab

IESNA LM80 LED testing by NVLAP accredited test lab

IESNA TM21 Luminaire lumen depreciation projection to >50,000 hours

Operating Temperature: -40°C to 50°C (-40°F to 122°F)

ELECTRICAL:

Standard voltage universal 120-277 VAC (347V Optional)

Power supply is Integral Class II, electronic high-power factor (>94% @120V)

Power consumption 30/50/75/100W selectable

0-10V dimming to 1%

Optional microwave motion sensor or daylight sensor

CCT options 3000K, 4000K, 5000K selectable

MOUNTING:

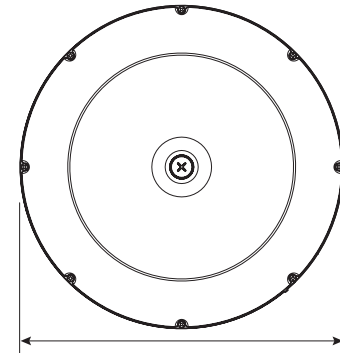
Ceiling or wall mount. Compatible with 4" square or octagon junction boxes for both surface and pendant setups. Comes with a safety clip for easier wiring and installation. For custom mounting options, please consult the factory.

LIFETIME VANDAL RESISTANT WARRANTY:

Paramount will replace or repair any luminaire damaged due to vandalism for the lifetime of the luminaire installation.

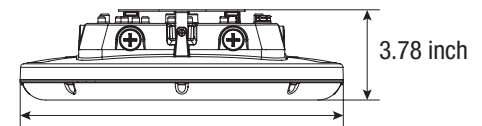
WARRANTY:

5-Year Limited, Optional 10-Year Limited



Ø13.58 inch

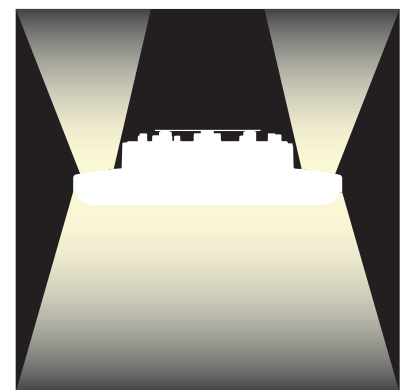
FRONT VIEW



3.78 inch

13.58 inch

SIDE VIEW

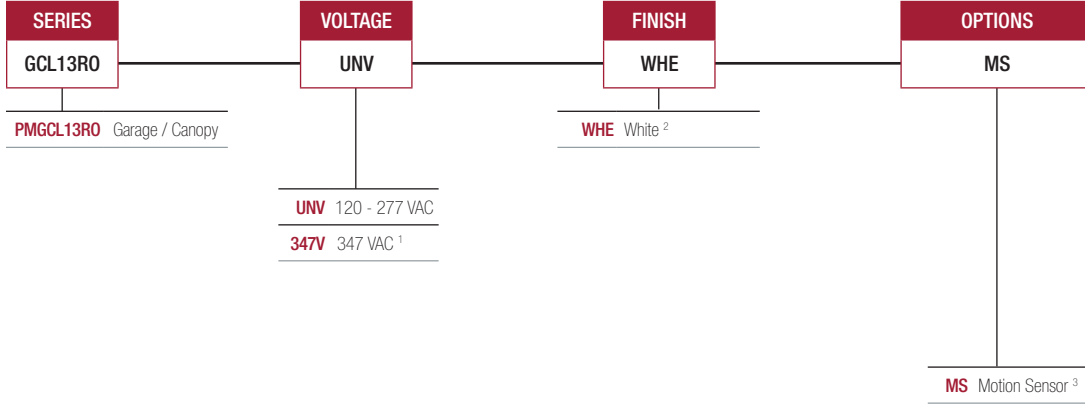


JC-TD-012826

Due to continuous development and improvements, specifications are subject to change without notice.

GCL13RO Series

PRODUCT ORDERING CODE



Footnotes:

- ¹ Consult factory for optional 347V
- ² Consult factory for custom color options
- ³ For more details on the motion sensor see the GCL13RO Motion Sensor spec sheet on the website

GCL13RO Series

LUMENS

Model	Watts	LM79 Test Result @ Max Lumens
		5K (5000 Kelvin, CRI 80)
PMGCL13RO	30W	4,313 lm
	50W	7,188 lm
	75W	10,782 lm
	100W	14,377 lm

CCT Multiplier (CRI80)	
CCT	Multiplier
3000K	0.935
4000K	0.956
5000K	1

PHOTOMETRICS

