

GCL15SO Series

Garage & Canopy Lite

15" Square Gas Station Canopy Luminaire



OVERVIEW:

This wattage and CCT-selectable luminaire designed to meet the demands of gas station lighting. Energy-efficient and easy to install, the GCL15SO provides bright, even illumination that enhances branding, security and customer satisfaction on the service island.

APPLICATIONS:

- Gas Station
- Covered Canopy
- Wet Location

FEATURES:

- Wide projection downlight
- 140 lumens per Watt
- IK10 Impact Rating
- 3G Vibration Test Rating
- 3500K, 4000K, 5000K CCT Options
- 100W, 130W, 150W power options
- 0-10V, 1% Dimming
- 5-Year Limited Warranty (10-Year Optional)

SPECIFICATIONS

HOUSING:

Crafted from marine-grade, low-copper, high-pressure die-cast aluminum, anodized with precise machining ensures a flawless luminaire with exceptional resistance to corrosion and durable even in harsh environments. Designed and tested to withstand substantial impact and vibration without compromising function or finish.

FINISH:

The die cast housing is cleaned, anodized, and then goes through a 7-stage wash cycle. The part is degassed before being coated with a UV-resistant, super durable poly for a 5,000-hour salt spray rating.

LENS:

UV stabilized one-piece polycarbonate lens.

OUTPUT:

This luminaire is designed for wide projection downlighting.

TESTING & RATINGS:

cETLus Listed

Wet location listed for ceiling or pendant mount

3G (ANSI C136.31) Vibration resistance rated (for Ceiling Installation Only)

Operating Temperature: -40°C to 45°C (-40°F to 113°F)

ELECTRICAL:

Standard voltage universal 120-277 VAC

Power supply is Integral Class II, electronic high-power factor (>94% @120V)

Power consumption 100W/130W/150W

0-10V dimming to 1%

CCT options 3500K, 4000K, 5000K

MOUNTING:

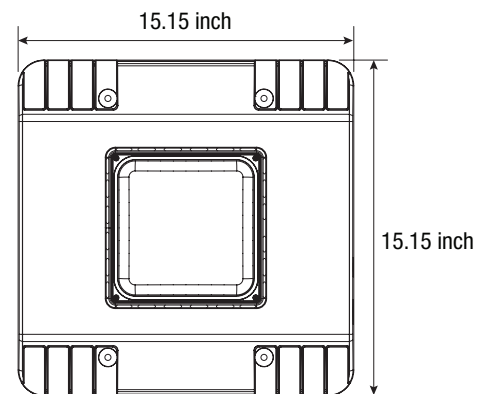
Ceiling or Pendant mount. For custom mounting options, please consult the factory.

LIFETIME VANDAL RESISTANT WARRANTY:

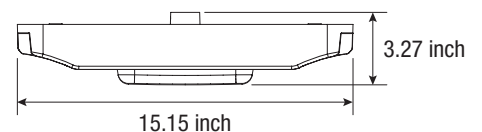
Paramount will replace or repair any luminaire damaged due to vandalism for the lifetime of the luminaire installation.

WARRANTY:

5-Year Limited, Optional 10-Year Limited



BOTTOM VIEW



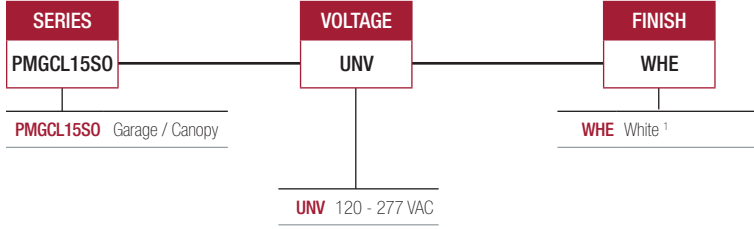
SIDE VIEW



Date:	Approved:
Type:	
Fixture:	
Project:	

GCL15SO Series

PRODUCT ORDERING CODE



Footnotes:
¹ Consult factory for custom color options

GCL15SO Series

LUMENS

Model	Watts	LM79 Test Result @ Max Lumens
		5K (5000 Kelvin, CRI 70)
PMGCL15SO	100W	14,000 lm
	130W	18,200 lm
	150W	21,000 lm

CCT Multiplier (CRI70)	
CCT	Multiplier
3500K	0.935
4000K	0.956
5000K	1

PHOTOMETRICS

