

G3 Series

Grid Techniseal Troffer

Grid Mount Rear Access



APPLICATIONS:

- Cleanroom
(Classes 100-100,000; ISO Classes 5-9)
- Food Processing (NSF Certified
Splash Zone, Food Zone)
- Industrial & Commercial
- Transit & Municipal
- Wet Location (ETL/cETL Listed)

FEATURES:

- Rear Access
- L70 ≥ 60,000 hours
- Available in Stainless Steel construction
- Premium Driver with Dimming standard
- Type IC
- Every luminaire tested to assure customer satisfaction
- 5-Year limited warranty



SPECIFICATIONS

HOUSING:

Constructed of nominal 20GA (0.036) zinc coated steel for unmatched corrosion protection. Two welded, tapered, threaded flanges on the top provide a sealed wireway access. All seams are sealed with a long life acrylic sealant.

FINISH:

Painted surfaces are two mil white polyester enamel, special colors available.

LENS:

0.125 StarFrost Acrylic with 50% DR content for durability, smooth side out. See Ordering Information for other high quality lens options.

LENS FRAME:

Exclusively designed, heavy duty, extruded, anodized aluminum with stainless steel captive screws used to hold the lens frame tight to the housing. The frame is hinged for support while servicing.

Food Zone: All external metal components of stainless steel (S3 option std).

REFLECTOR:

Fabricated of aluminum, painted with a minimum reflectance of 88%.

GASKETING:

An extruded, ribbed vinyl gasket seals the lens into the frame; with our exclusive, mechanically held, extruded, silicone gasket used to seal the frame to the housing.

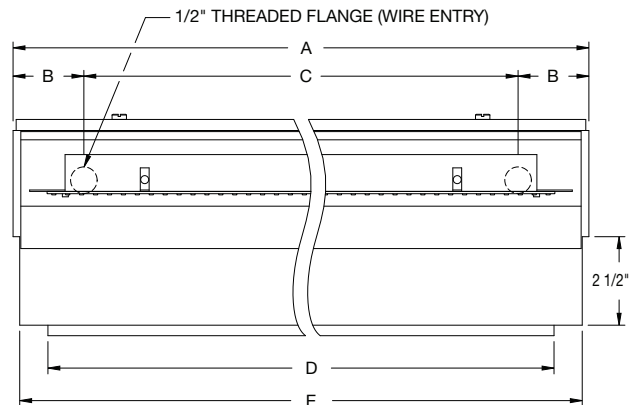
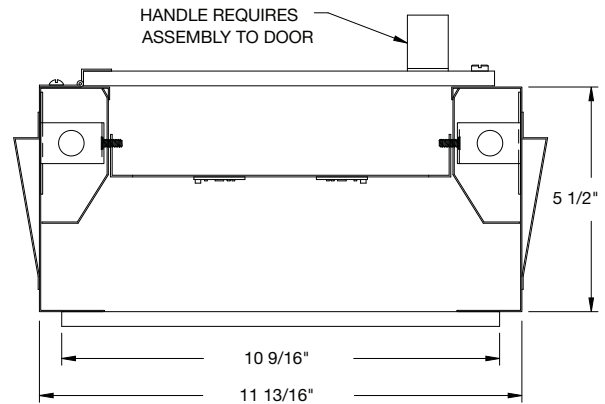
Food Zone: Silicone sealant is used to seal the lens into the frame, with extruded EPDM sealing the frame to the housing.

ELECTRICAL:

High efficiency LED/Driver combination delivers 160 Lumens/Watt raw array efficacy with 80+ CRI. 4000K color temperature is standard with options for 2700K, 3000K, 3500K, and 5000K. 0-10V dimming comes standard with other control options available. THD <10%@120V, <15%@277V, PF> 0.95.

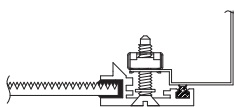
MOUNTING:

Grid or custom detail available.

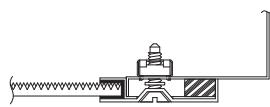


LENGTH (ft)	WEIGHT (lbs)	DIMENSIONS IN INCHES				
		A	B	C	D	E
2	19	23 29/32	1 31/32	20	22 3/4	23 19/32
4	25	47 29/32	1 31/32	44	46 5/8	47 19/32

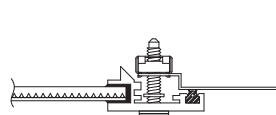
LENS FRAME DETAILS



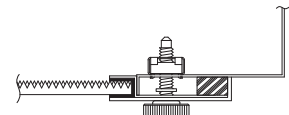
ALUMINUM
LENS FRAME DETAIL



STAINLESS STEEL
LENS FRAME DETAIL



SPLASH ZONE
LENS FRAME DETAIL



FOOD ZONE
LENS FRAME DETAIL

JC-TD-011926

Due to continuous development and improvements, specifications are subject to change without notice.

G3 Series – Wet & NSF Splash Zone Locations

PRODUCT ORDERING CODE

SERIES	LENGTH	MOUNTING	VOLTAGE	CCT	CRI	LUMENS	FINISH	LENS	DIMMING	OPTIONS
PMG3 Wet Location PMSG3 NSF Splash Zone ¹	2 2 FT 4 4 FT		UNV 120-277V	27K 2700K ⁴ 3K 3000K 35K 3500K 4K 4000K 5K 5000K	CRI83 83 CRI CRI90 90 CRI		PZ Painted Zinc Steel Housing, Aluminum Lens Frame S2 Stainless Steel Housing, Aluminum Lens Frame S3 Stainless Steel Complete S5 Stainless Steel Lens Frame, Painted Zinc Steel Housing		LD Dimming 0-10V	
	G0 1" (15/16") Standard G1 1 1/2" T-Bar G2 2" T-Bar							L3 0.125 White Acrylic (Cell Cast) LH3 0.150 Extra Heavy White Acrylic L4 0.140 50% DR Ext. Prismatic Acrylic (P20) L5 0.125 StarFrost® Acrylic (base) L7 0.125 White Polycarbonate L8 0.156 Prismatic Polycarbonate (P12) L9 0.187 Tempered Glass (P62) ⁵ LJ4 0.020 White Acrylic Overlay (Array Side)		
						2 FT 4 FT	19L 1900 lm (18W) 37L 3700 lm (33W) 37L 3700 lm (33W) 74L 7400 lm (66W)		BBU 10W Battery Backup, Integral BBU1 12W Battery Backup, Integral BBUR2 20W Battery Backup, Remote ⁶	
						Selection must match the selected length	Lumens (Typical)		F1 GLR/HLR Fusing (Fast) F2 GMF/HLR Fusing (Slow) P11 Guardcraft® Antimicrobial Coating ⁷ T3 Tamper Resistant (Hex w/pin or other) V1 External Gasketing	



G4 Rear Door Access
Shown for Demonstration

Footnotes:

- ¹ NSF Splash Zone luminaires (PMS prefix) may become soiled, but are outside the danger of recontamination
- ³ Consult Factory
- ⁴ Only 90 CRI
- ⁵ Only Available with Stainless Steel Lens Frame
- ⁶ The 20W Battery Backup Remote powers a minimum of 3 luminaires and must be mounted on the outside of the luminaire or in a remote dry/damp location.
- ⁷ Only Available with White Painted Zinc Steel Finish

G3 Series – NSF Food Zone Location

PRODUCT ORDERING CODE

SERIES	LENGTH	MOUNTING	VOLTAGE	CCT	CRI	LUMENS	FINISH	LENS	DIMMING	OPTIONS
PMFG3			UNV				S3		LD	
PMFG3 NSF Food Zone ²			UNV 120-277V		CRI83 83 CRI CRI90 90 CRI		S3 Stainless Steel Complete		LD Dimming 0-10V	
	2 2 FT 4 4 FT			27K 2700K ⁴ 3K 3000K 35K 3500K 4K 4000K 5K 5000K				L4 0.140 50% DR Ext. Prismatic Acrylic (P20) L5 0.125 StarFrost® Acrylic (base) L9 0.187 Tempered Glass (P62) ⁵		
	G0 1" (15/16") Standard G1 1 1/2" T-Bar G2 2" T-Bar									BBU 10W Battery Backup, Integral BBU1 12W Battery Backup, Integral BBUR2 20W Battery Backup, Remote ⁶ F1 GLR/HLR Fusing (Fast) F2 GMF/HLR Fusing (Slow) T3 Tamper Resistant (Hex w/pin or other) V1 External Gasketing
						2 FT 4 FT	19L 1900 lm (18W) 37L 3700 lm (33W) 37L 3700 lm (33W) 74L 7400 lm (66W)			
						Selection must match the selected length	Lumens (typical)			



G4 Rear Door Access Shown for Demonstration

Footnotes:

- ² NSF Food Zone luminaires (PMF prefix) come in DIRECT CONTACT with food
- ³ Consult Factory
- ⁴ Only 90 CRI
- ⁵ Only Available with Stainless Steel Lens Frame
- ⁶ The 20W Battery Backup Remote powers a minimum of 3 luminaires and must be mounted on the outside of the luminaire or in a remote dry/damp location.

LUMEN OUTPUT: All listed lumen values are nominal. Lens transmission and fixture efficiency affect overall lumens.

INDIVIDUAL UNITS STANDARD
NOT ALL COMBINATIONS POSSIBLE